

Packaged Terminal AIR CONDITIONER

SAFETY INFORMATION	3
USING THE AIR CONDITIONER	
Controls	4
Features	5
Dip Switch Configuration	6
Wall Thermostat Installation	7
CARE AND CLEANING	9
INSTALLATION	10
TROUBLESHOOTING TIPS	12
Normal Operating Characteristics.....	13
LIMITED WARRANTY	15
CONSUMER SUPPORT	16

OWNER'S MANUAL AND INSTALLATION INSTRUCTIONS

AH12E07D
AH12H07D
AH12E09D
AH12H09D/E
AH12E12D
AH12H12D/E
AH12E15D
AH12H15D

Write the model and serial numbers here:

Model # _____

Serial # _____

Find these numbers on a label on the front of the base pan behind the front grille.

ESPAÑOL

Para consultar una versión en español de este manual de instrucciones, visite nuestro sitio de internet www.hotpoint.com.

IMPORTANT SAFETY INFORMATION

READ ALL INSTRUCTIONS BEFORE USING THE APPLIANCE

⚠ WARNING

For your safety, the information in this manual must be followed to minimize the risk of fire or explosion, electric shock, or to prevent property damage, personal injury, or loss of life.

SAFETY PRECAUTIONS

Risk of electric shock. Can cause injury or death. For your safety, the information in this manual must be followed to minimize the risk of fire, electric shock or personal injury.

- Use this appliance only for its intended purpose as described in this Owner's Manual.
- This air conditioner must be properly installed in accordance with the Installation Instructions before it is used.
- Never unplug your air conditioner by pulling on the power cord. Always grip plug firmly and pull straight out from the receptacle.
- Replace immediately all electric service cords that have become frayed or otherwise damaged. A damaged power supply cord must be replaced with a new power supply cord obtained from the manufacturer and not repaired. Do not use a cord that shows cracks or abrasion damage along its length or at either the plug or connector end.

- Turn **OFF** and unplug your air conditioner before making any repairs or cleaning.

NOTE: We strongly recommend that any servicing be performed by a qualified individual.

- For your safety...do not store or use combustible materials, gasoline or other flammable vapors or liquids in the vicinity of this or any other appliance.
- All air conditioners contain refrigerants, which under federal law must be removed prior to product disposal. If you are getting rid of an old product with refrigerants, check with the company handling disposal about what to do.
- This appliance is not intended for use by persons (including children) with reduced physical, sensory or mental capabilities, or lack of experience and knowledge, unless they have been given supervision or instruction concerning use of the appliance by a person responsible for their safety.

HOW TO CONNECT ELECTRICITY

⚠ WARNING

Risk of electric shock. Can cause injury or death. This appliance must be properly grounded. Do not, under any circumstances, cut or remove the third (ground) prong from the power cord. For personal safety, this appliance must be properly grounded.

- The power cord of this appliance is equipped with a 3-prong (grounding) plug which mates with a standard 3-prong (grounding) wall outlet to minimize the possibility of electric shock hazard from this appliance.
- Have the wall outlet and circuit checked by a qualified electrician to make sure the outlet is properly grounded.
- Power cord may include a current interrupter device. A test and reset button is provided on the plug case. The device should be tested on a periodic basis by first pressing the **TEST** button and then the **RESET** button. If the **TEST** button does not trip or if the **RESET** button will not stay engaged, discontinue use of the air conditioner and contact a qualified service technician

- Where a 2-prong wall outlet is encountered, it is your personal responsibility and obligation to have it replaced with a properly grounded 3-prong wall outlet.

⚠ WARNING

Risk of electric shock. Can cause injury or death.

- The air conditioner should always be plugged into its own individual electrical outlet which has a voltage rating that matches the rating plate. This provides the best performance and also prevents overloading house wiring circuits which could cause a fire hazard from overheated wires.
- See the Installation Instructions, Electrical Requirements section for specific electrical connection requirements.

USE OF EXTENSION CORDS

⚠ WARNING

RISK OF FIRE. Could cause serious injury or death.

- DO NOT use an extension cord with this Packaged Terminal Conditioner.
- DO NOT use surge protectors or multi-outlet adaptors with this Packaged Terminal Air Conditioner.

READ AND SAVE THESE INSTRUCTIONS

IMPORTANT SAFETY INFORMATION

READ ALL INSTRUCTIONS BEFORE USING THE APPLIANCE

⚠ WARNING

Risk of Fire or Explosion. This unit contains flammable refrigerant. Additional safety precautions must be followed.

- Do not use means to accelerate the defrosting process or to clean, other than those recommended by the manufacturer.
- The appliance shall be stored in a room without continuously operating ignition sources (for example: open flames, an operating gas appliance or an operating electric heater).
- Do not pierce or burn refrigerant tubing. Be aware that refrigerants may not contain an odor.
- Keep ventilation openings clear of obstruction.
- When handling, installing, and operating the appliance, care should be taken to avoid damage to the refrigerant tubing.
- Do not drill holes in the unit.
- Maintenance, cleaning, and service should only be performed by technicians properly trained and qualified in the use of flammable refrigerants.
- GEAppliances does not support any servicing of sealed system components (i.e. refrigerant containing parts) in the air conditioner.
- Dispose of air conditioner in accordance with Federal and Local Regulations. Flammable refrigerants require special disposal procedures. Contact your local authorities for the environmentally safe disposal of your air conditioner.


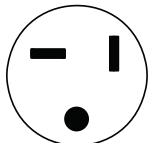


USE OF ADAPTER PLUGS

⚠ WARNING

Risk of electric shock. Can cause injury or death.

- We strongly recommend against the use of an adapter plug.
- If you must use an adapter, where local codes permit, a **temporary connection** may be made to a properly grounded 2-prong wall outlet by use of a UL-listed adapter available at most local hardware stores.
- The larger slot in the adapter must be aligned with the larger slot in the wall outlet to provide proper polarity in the connection of the power cord.
- When disconnecting the power cord from the adapter, always hold the adapter in place with one hand while pulling the power cord plug with the other hand. If this is not done, the adapter ground terminal is very likely to break with repeated use.
- If the adapter ground terminal breaks, **DO NOT USE** the air conditioner until a proper ground has been established.
- Attaching the adapter ground terminal to a wall outlet cover screw does not ground the appliance unless the cover screw is metal, not insulated, and the wall outlet is grounded through the house wiring. You should have the circuit checked by a qualified electrician to make sure the outlet is properly grounded.

NOTE: The plug shape may be different depending on model.

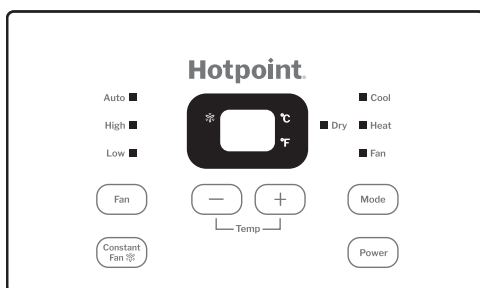
Receptacle				
Rating	208/230V 15A	208/230V 20A	208/230V 30A	265V 20A

For appliance recycling information please visit GEAppliances.com/recycling.

READ AND SAVE THESE INSTRUCTIONS

Controls

Air Conditioner Controls



■ POWER

- Press the POWER button to turn the unit on or off. When the unit is on, the power indicator light will be green. When the unit is off, the light will go out.

■ MODE

- Push this button to cycle through the modes from COOL-HEAT-FAN-DRY. The indicator light beside the “MODE” option will illuminate, identifying the mode selected.

- **COOL:** The range of set temperature is 62°F~86°F. Cooling begins automatically when the room temperature is above the set point, and stops when the room temperature is 4°F below the set point. But the compressor will run a minimum of 3 minutes in COOL mode before stopping. The fan is set up from the factory to run in continuous mode when in cooling.

- **HEAT:** The range of set temperature is 62°F~84°F. For heat pump models the unit can alternate running between reverse cycle heat mode and electric heater mode according to the difference between the set temperature and the room temperature. The fan motor cycles on and off with the compressor and electric heater.

The indoor fan motors starts before the compressor and stops after the compressor cycles off.

NOTE: Reverse cycle heating and the electric heater no not run at the same time. In the following cases, it is normal that the compressor does not operate.

1. When the outdoor temperature is lower than 40°F or the room temperature falls to 8°F below the set point temperature.
2. To prevent short cycling, there is a 3-minute minimum compressor OFF time between cycles.
3. When frost builds up the coil, the compressor will cycle off while the ID fan continues to run to defrost the coil.

- **FAN:** Fan operation only without heating and cooling.

NOTE: The set temperature ranges can be changed. See “DIP SWITCHES CONFIGURATIONS: on page 6 for details.

- **DRY:** Sets unit to Cool mode and low fan speed to help with dehumidification.

■ UP/DOWN BUTTONS (+ / -)

- Push the UP (or DOWN) button to increase (or decrease) the set temperature of the unit in cooling or heating mode. The temperature can be set by increments of 1°F. The set temperature appears in the display.

NOTE: Press and hold the + and - buttons together for 3 seconds to change the temperature display between °C & °F scale.

■ FAN (FAN SPEED)

- Every time you push this button, the fan speed cycles through the settings as follows: AUTO-HIGH-LOW.

■ CONSTANT FAN

- Provides choice of operating the indoor fan continuously or cycling it on/off with the compressor. A fan icon appears near the display when the fan is in constant mode. When in cycle mode, the fan will operate for several seconds after the compressor cycles off. This switch is not active in the Heat mode.

■ DISPLAYS:

- While in Fan only mode it shows the room temperature.

Control and Error code (on some models):

LC - Push buttons on the control panel are not available. The unit can only be operated by using wall thermostat.

FC - Push buttons on the control panel and wall thermostat are not available. The unit can only be operated by using FRONT DESK CONTROL.

Error codes:

AS-Room temperature sensor error;

ES-Evaporator temperature sensor error;

CS-Condenser temperature sensor error;

OS-Outside temperature sensor error;

HS-Exhaust temperature sensor error;

LE-Wire controller error;

NOTE: When error occurs, unplug the unit and plug it back in. If error repeats, call for service.

Other codes:

LO-Room temperature is lower than 32°F;

HI-Room temperature is higher than 99°F;

FP-Low temperature protection.

Cooling Operation	Outdoor Temp:	64-109°F
	Indoor Temp:	62-90°F
Heating Operation	Outdoor Temp:	23-76°F
	Indoor Temp:	32-80°F

NOTE: All the illustrations in this manual are for explanation purposes only. Your air conditioner may be slightly different.

NOTE: This air conditioner is designed to be operated under the conditions listed above.

NOTE: Performance may be reduced if outside these operating temperatures.

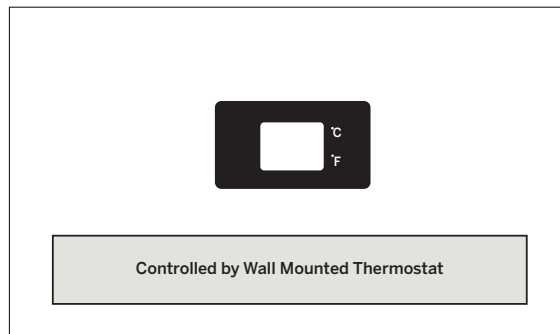
Controls

Remote Thermostat Accessory

NOTE: When the unit is controlled by a remote wall thermostat (see pages 6 and 7) the unit will display “LC”. The optional accessory included with the unit stating the unit is “Controlled by Wall Mounted Thermostat” can be installed at the controls to inform the guest.

NOTE: For some functions there is a 3 second delay after pressing a button.

NOTE: When there are differences regarding the unit function between the **Owner’s Manual** and **Remote Thermostat** the description in the **Owner’s Manual** shall prevail.



Features

This unit has many features. The servicer must be familiar with these features in order to properly service the unit.

Compressor Restart Delay

This feature extends the overall life of compressor by preventing the short-cycling of the air conditioner. When the compressor starts, the unit is designed to run a minimum of 3 minutes. The compressor will then be off for a minimum of 3 minutes to equalize the refrigerant pressure before restarting.

Memory

The unit has a memory. If power is lost, all of the control settings (mode, fan speed, on/off and configuration) are remembered. When power is restored after a power failure, the unit will start in the mode (and configuration) it was in when power was lost.

Automatic Evaporator Freeze Protection

A sensor on the indoor coil monitors the coil temperature and will turn the compressor off until the coil warms up. The indoor fan will continue to run.

Automatic Quick Warm-up (for heat pump models only)

If the room temperature falls to 8°F below the set point temperature, the reverse cycle heat is shut off and the electric strip heat is turned on for one cycle, until room temperature is satisfied.

LED Indicators and Buttons

The unit has LEDs that correspond to the mode, fan speed, power and setpoint operation to indicate the unit’s status. LEDs for HIGH, MED, and LOW indicate the fan speed that is selected. LEDs for FAN, COOL, and HEAT indicate what operating mode is active. LED for POWER is the unit ON/OFF status LED. If the unit is in ON mode, the LED will be green. If the unit is OFF, the LED will be off.

High Temperature Protection in Heating Operation

The compressor and(or) electric heater will be switched off to prevent damage in high indoor air temperatures or when there is a defective indoor temperature sensor.

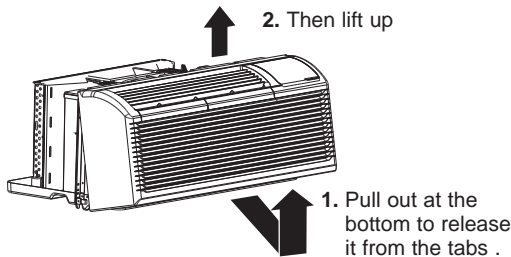
Unit Configuration - °F or °C

The unit can display in either °F or °C. See page 6.

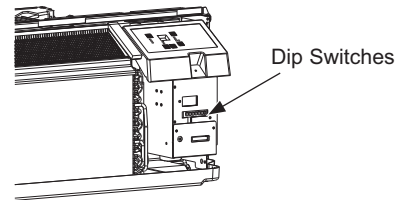
Dip Switch Configuration

REMOVING THE FRONT PANEL

Dip switch controls are located behind front panel, through an opening below the control panel. To access, remove front panel.



Dip switches are accessible without opening the control box.

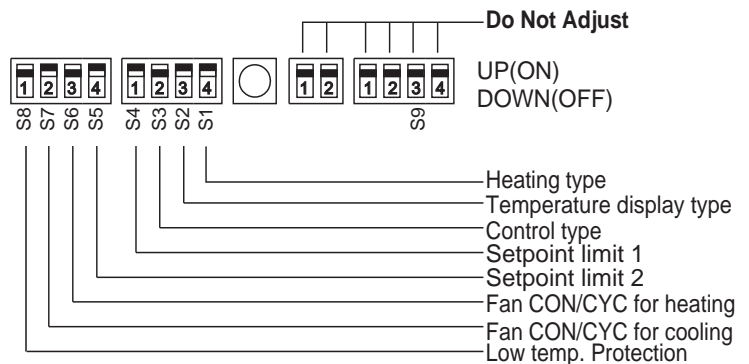


Unit must be powered OFF to change dip switch settings.

DIP SWITCHES CONFIGURATIONS

See the table and figure below for Dip Switch configurations and functions of each dip switch position.

(Factory default switch positions (darkened portion) shown)



DIP SWITCH CONFIGURATION TABLE

No.	UP (ON)	DOWN (OFF)	Remarks
S1	Electric Heat Only	Electric Heat and Pump Heat	For Heat Pump unit only.
S2	Temperature Display in F°	Temperature Display in C°	
S3	Wall Thermostat Enable	Control Panel Enable	
S4*S5	S4▲ S5▲ 61°F - 86°F * S4▲ S5▼ 65°F - 78°F S4▼ S5▲ 63°F - 80°F S4▼ S5▼ 68°F - 75°F		Two configurations (S4*S5) combine to select unit thermostat set point range.
S6	Fan Continuous Run for Heating	Fan Cycle for Heating	
S7	Fan Continuous Run for Cooling	Fan Cycle for Cooling	
S8	Low temp. Protection enable	Low temp. Protection disable	Optional

* **NOTE:** The maximum temperature setting is 86°F in cooling and 84°F in heating.

Wall Thermostat Enable

A wall thermostat can be connected to the unit. If it is, dip switch S3 must be moved to the Wall Thermostat Enable Position (UP), before the wall thermostat will control the unit. For proper wall thermostat operation, make sure dipswitch S9 is in the down position.

Low temp. Protection (optional)

If unit senses a room temperature below 32°F the indoor fan motor and electric strip heat will turn on and warm the room to 40°F. The fan and heater will shut down a short time after the temperature is satisfied.

Electric Heat Only (for heat pump unit only)

This setting is typically used for Emergency Heating.

Heat and Cool Fan CON/CYC Dip-switches

Allows the fan to operate in continuous or cycle modes while the unit is in heating and cooling mode.

CON(Continuous)

Allows fan to run continuously, circulating air even when the temperature setting has been satisfied. This switch helps to maintain the room temperature closer to the thermostat setting.

CYC(Cycle)

This setting allows the fan to cycle on and off with the compressor or electric heater. The fan stops a short time after the temperature setting is satisfied.

Setpoint Temperature Limits

Provides a restricted range of temperature control.

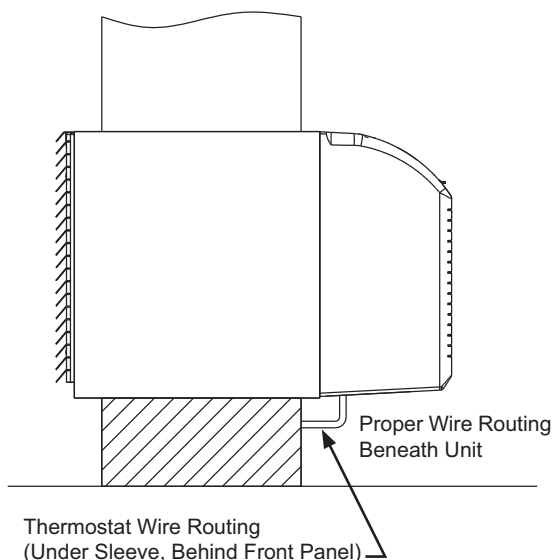
Wall Thermostat Installation (Optional)

IMPORTANT

Only trained, qualified personnel should access electrical panel on unit and install electrical accessories. Please contact your local electrical contractor, dealer, or distributor for assistance.

Thermostat Wire Routing

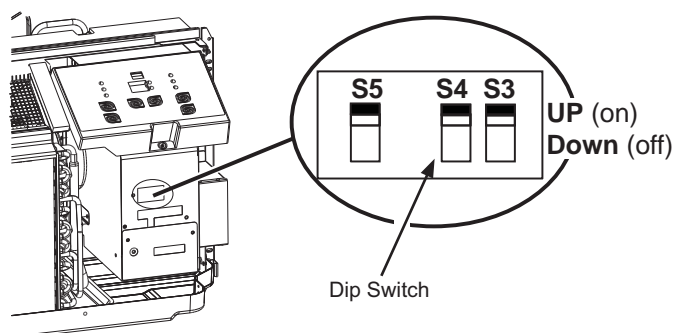
Thermostat wire is field supplied. Recommended wire gauge is 18 to 20 gauge solid thermostat wire. NOTE: It is recommended that extra wires are run to unit in case any are damaged during installation. Thermostat wire should always be routed around or under, NEVER through, the wall sleeve. The wire should then be routed behind the front panel to the easily accessible terminal connector.



NOTE: Refer to thermostat installation instructions for details on installing wall thermostat.

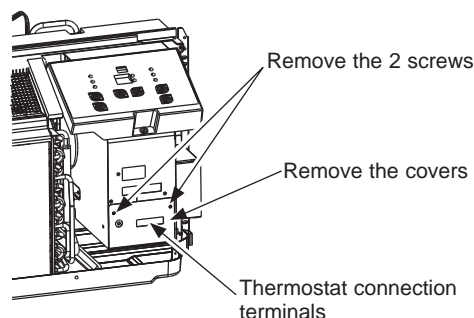
Wall Thermostat Enable

- Power off the unit.
- **Unit must be powered OFF to change dip switch settings.**
- Flip the S3, S4, and S5 dip switches to the UP (ON) position as shown below. See page 6 for dip switch locations and functions.

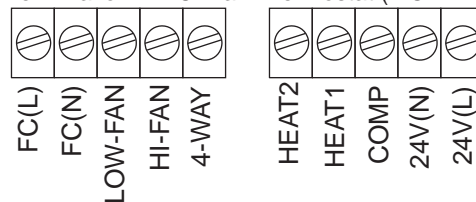


Installation instruction for PTAC Thermostat

Remove the two screws as shown below and remove the cover.



Terminal of PTAC Wall Thermostat (MODE A)



- Insert the wires from the wall thermostat into the correct terminals according to manufacturers instructions.

Terminal	Designation
FC(L)	Front desk control terminal L
FC(N)	Front desk control terminal N
LOW-FAN	Low fan speed (GL)
HI-FAN	High fan speed (GH)
4-WAY	4-way valve; Reverse cycle (Energized in Heat) For heat pump models (B)
HEAT2	Not Used
HEAT1	Electrical heater 1 (W)
COMP	Compressor (Y)
24V(N)	24VAC terminal N (Neutral), C (Common)
24V(L)	24VAC terminal L (HOT) (R)

Wall Thermostat Installation (Cont)

⚠ CAUTION

UNIT DAMAGE HAZARD

Failure to follow this caution may result in equipment damage or improper operation. Improper wiring may damage unit electronics. Common busing is not permitted. Damage or erratic operation may result.

NOTE:

- Use the "4-WAY" terminal for B type heat pump connection only.
- Set the compressor protection time more than 3 minutes in wall thermostat. If set less than 3 minutes, the compressor will have an additional 3 minute delay.
- Wall thermostat must be set properly with the unit type: heat pump or no heat pump.
- For heat pump units, wall thermostat must be a B type heating changeover 4-way valve type.
- For thermostats that have only one fan speed output (on or auto), the fan speed is determined by how the terminal connector is wired. If Low fan is desired, wire the G output from the thermostat to (LOW-FAN) on the units terminal block. If High fan is desired, wire the G output from the thermostat to (HI-FAN) on the units terminal block.
- The range of set temperature of the wall thermostat must be in consonance with the range of DIP switch setting.
- Please do not remove the control panel.

FRONT DESK CONTROL

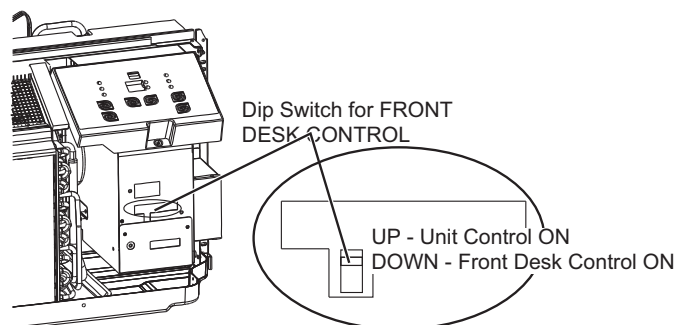
The unit is designed to work with a switch signal Front Desk Control. The system is designed such that the front desk control switch for a particular room is independently connected to the FC(L) and the FC(N) screw terminals (show on page 7) of a single unit. **Front desk control switches and wiring are provided by others.**

The Front Desk switch system requires a 24VAC signal to operate. Use the R and C terminals run out to the front desk switch and then return to the FC(L) and FC(N) terminals.

To **Enable Front Desk Control**, turn off power to the unit and move the dipswitch to the **down** position.

If the front desk switch is open, the unit stops operating.

When the front desk closes their switch, the 24VAC signal from the unit completes the circuit and tells the unit to turn on and follow the commands of the unit/ remote thermostat.



Unit shipped from factory with the Front Desk Control dipswitch in the UP position.

Unit must be powered OFF to change dip switch settings.

Care and Cleaning

Front Panel and Case

- Turn unit off and disconnect power supply. To clean, use water and a mild detergent. **DO NOT** use bleach and abrasives. Some commercial cleaners may damage the plastic parts.

Outdoor Coil

- Coil on outdoor side of unit should be checked regularly. Unit will need to be removed from the wall sleeve to inspect dirt build-up that will occur on the inside of the coil. If clogged with dirt and debris, coil should be professionally cleaned. Clean inside and outside of outdoor coils regularly.
NOTE: Never use a high-pressure spray on coil. Do not use acid based cleaners.

⚠ CAUTION

UNIT DAMAGE HAZARD

Failure to follow this caution may result in equipment damage or improper operation.

Airflow restriction may cause damage to the unit.

Air Filters

IMPORTANT: TURN UNIT OFF BEFORE CLEANING.

⚠ CAUTION

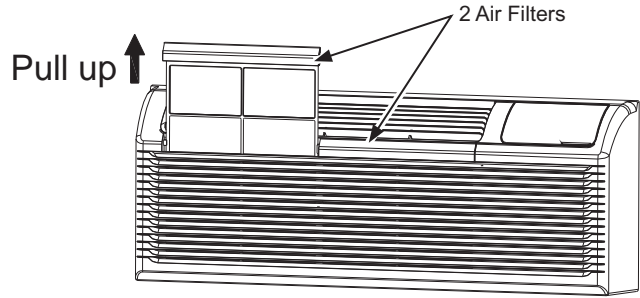
UNIT DAMAGE HAZARD

Failure to follow this caution may result in equipment damage or improper operation.

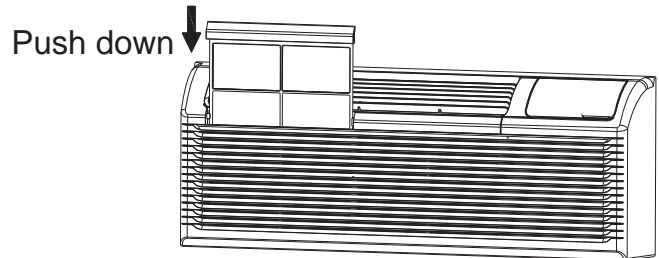
- Do not operate unit without filters in place. If a filter becomes torn or damaged, it should be replaced immediately.
- Operating without filters in place or with damaged filter will allow dirt and dust to reach indoor coil and reduce cooling, heating, airflow and efficiency of unit. Airflow restriction may cause damage to unit.

- The most important thing you can do to maintain unit efficiency is to clean the filters once every two weeks or as needed. Clogged filters reduce cooling, heating and airflow.
- **Keeping filters clean will:**
Decrease cost of operation.
Save energy.
Prevent clogged indoor coil.
Reduce risk of premature component failure.
- **To Clean Air Filters:**
Vacuum off heavy soil.
Run water through filter from back side.
Dry thoroughly before replacing.

■ Removing Air Filter



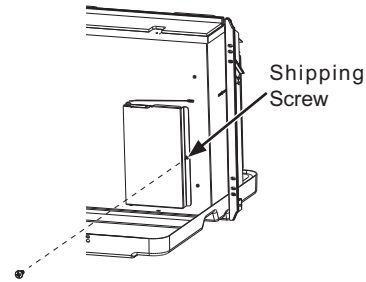
■ Replacing Air Filter



VENT DOOR MESH FILTER (required only if used)

IMPORTANT: TURN UNIT OFF BEFORE CLEANING.

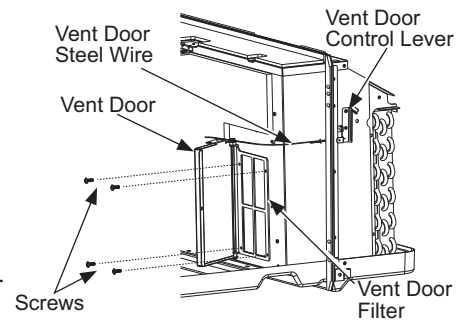
- If the vent door is open, access requires the removal of the unit from the wall sleeve. Clean the vent filter twice a year or as needed.
- Make sure to remove the shipping screw from the vent door.



- Rotate the vent control lever to open the vent door.

- Remove four screws from the vent door filter.

- First pull out the vent door steel wire from the hole of the vent door, then take off the vent door and filter.



- Clean the filter. Dry thoroughly before replacing.
- Replace the vent door and filter, reinstall the four screws.

- Re-insert the vent door steel wire into the hole of the vent door.

Installation

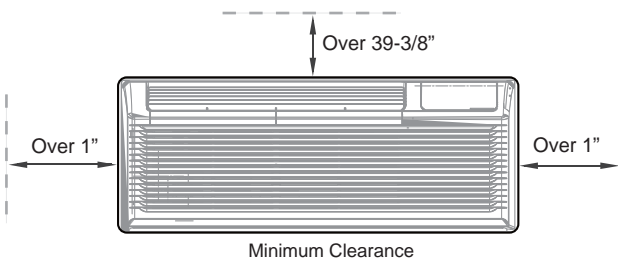
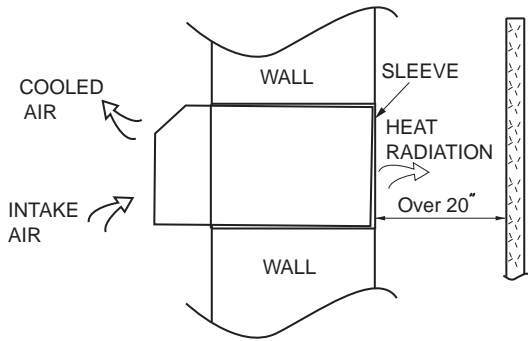
Installation Preparation

⚠ CAUTION

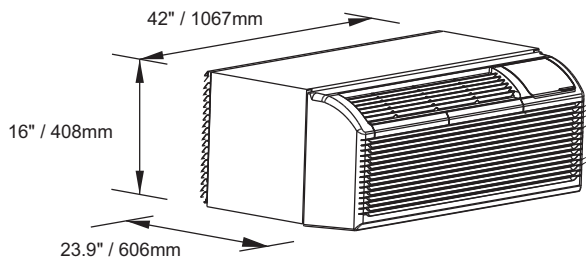
There are sharp edges that can cause serious cuts. When lifting the air conditioner, use 2 people to lift.

- For existing sleeve, you should measure the wall sleeve dimensions.
- Install the new air conditioner according to these installation instructions to achieve the best performance. All wall sleeves used to mount the new air conditioner must be in good structural condition and have a rear grille that securely attaches to the sleeve or the flange of the sleeve.
- To avoid vibration and noise, make sure the unit is installed securely and firmly.
- When installing the sleeve, make certain there is nothing within 20" of the back that would interfere with heat radiation and exhaust air flow.

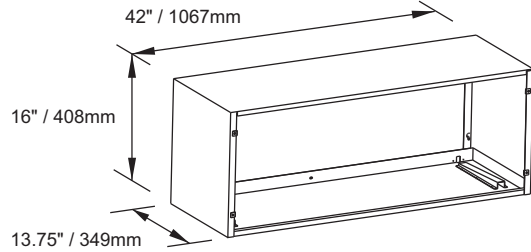
PREPARATION OF SLEEVE ASSEMBLY (optional)



Dimension of air conditioner



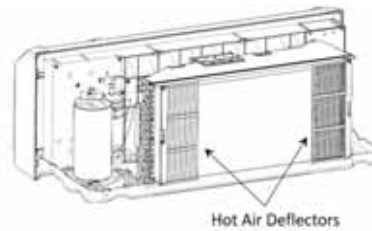
Dimension of sleeve



- Refer to the installation instruction of sleeve assembly for details.

Note: 265V Units require a sub-base (sold separately) to be installed to the wall sleeve. To mount the sub-base to the wall sleeve, the wall sleeve must extend a minimum of 2 3/8" into the room.

PREPARATION OF REAR GRILLE ASSEMBLY (optional)



- Refer to the installation instruction of rear grille assembly for details. Exterior (rear) grille must be installed prior to the chassis.

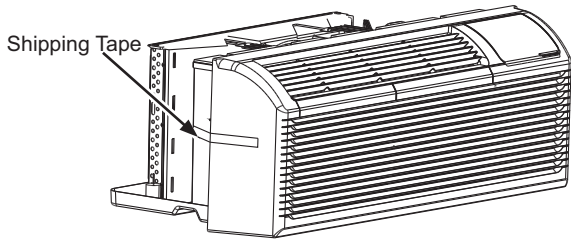
Note: Unit comes with air deflectors attached to the exterior coil of the unit. If the exterior grille has hot air deflectors built in or attached, remove the deflectors off the unit prior to installation.

Installation

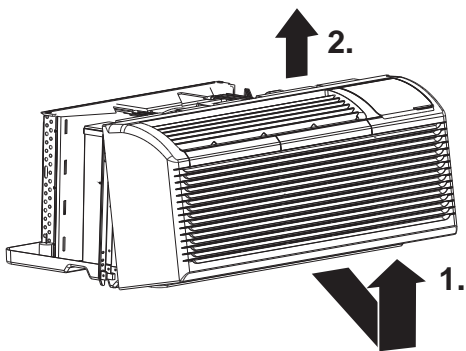
Installation Preparation (cont)

Unit Installation

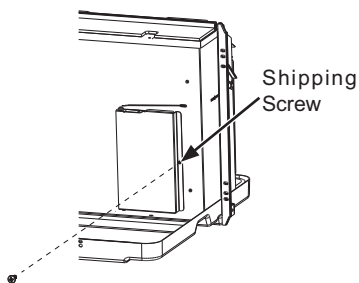
- Carefully remove all shipping tape from the front panel.



- Remove the front panel.

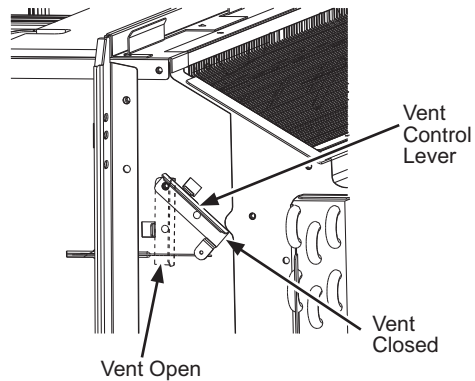


- Hotpoint PTAC's have a vent that can be opened to introduce outdoor air into the room. To open the vent, remove the shipping screw and adjust the vent as desired, prior to sliding the unit into the wall sleeve.



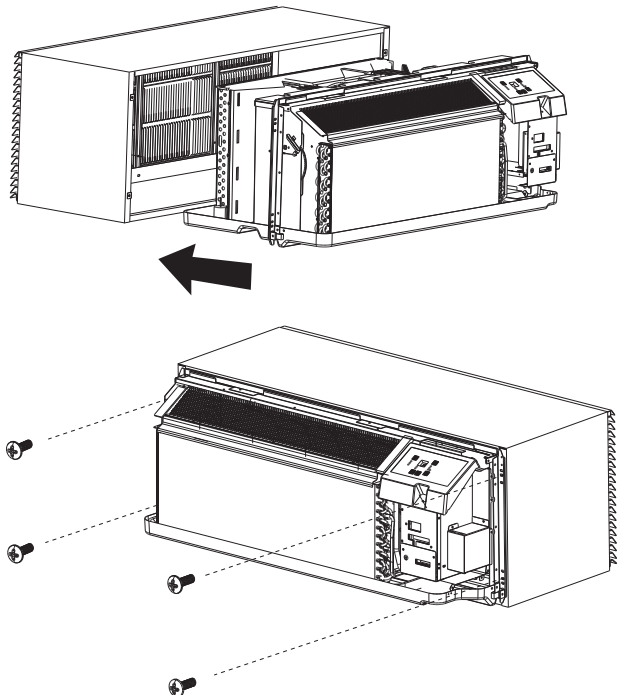
Unit Installation (cont)

- Rotate the vent control lever to either open or close the vent door.



NOTE: When vent control lever is set at CLOSE, only the air inside the room is circulated and filtered. When set at OPEN, some outdoor air will be drawn into the room. This will reduce heating and cooling efficiency.

- Lift unit level and slide unit into wall sleeve until firmly against front of wall sleeve and secure with 4 screws and washers (supplied in the SLEEVE ASSEMBLY) through the unit flange holes. If screws are needed, purchase #10x1½" hex or phillips head screws at your local hardware store.



CAUTION

Do not put obstacles around air-inlet or inside of air-outlet of the unit, such as window curtains, etc. Always insert the filter securely. Clean filter once every 2 weeks as required

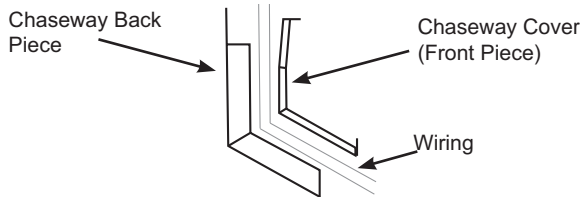
Installation

Unit Installation (cont)

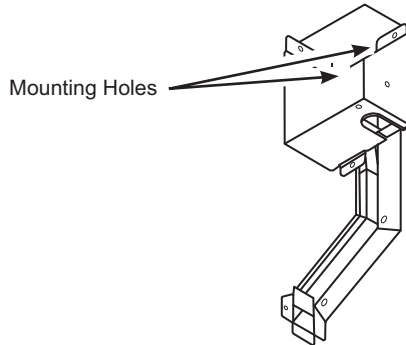
For 265V Models only:

NOTE: A sub-base (purchased separately) and chaseway (included with this product) are required for installing 265V models. Failure to do so will not meet NEC compliance. See Sub-base installation instructions.

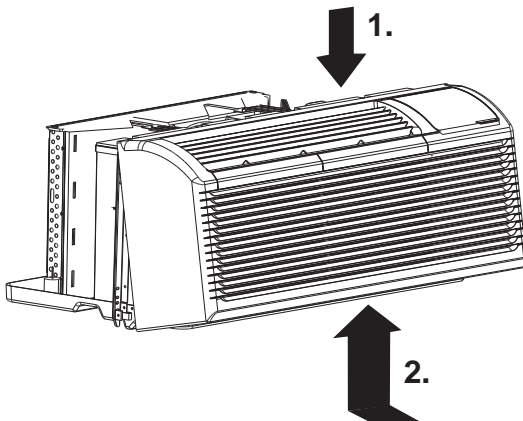
- Wiring is placed between the two halves of the chaseway. Observe the orientation of the chaseway.



- With the power cord inside, align the upper and lower screw holes of the chaseway pieces. Secure the halves together using the type A screws included with the chaseway.
- Remove the junction box from the unit and align the slotted holes on the chaseway to the holes on the front and bottom of the junction box. Secure the chaseway with the provided screws.



- See Sub-base installation instructions for sub-base install on how to attach the chaseway to the sub-base. After the chaseway is attached to the sub-base, rotate the chaseway/junction box assembly up and attach to the chassis with screws removed earlier.
- Reinstall front panel. Place tabs over top rail (1.). Push inward at bottom until panel snaps into place (2.).



Troubleshooting Tips... Before you call for service

Save time and money! Review the charts on the following pages first and you may not need to call for service.

Possible Cause	Solutions
UNIT DOES NOT START Unit may have become unplugged Fuse may have blown Circuit breaker may have been tripped Unit may be off Unit may be in a protection mode	Check that plug is plugged securely in wall receptacle. NOTE: 230/208 volt plugs have a test/reset button on them. Make sure that the plug has not tripped. Replace the fuse. See Note 1. Reset circuit breaker. See Note 1. Turn unit on (bottom right button on keypad).
UNIT NOT COOLING/HEATING ROOM Unit air discharge section is blocked Temperature setting is not high or low enough. NOTE: Setpoint limits may not allow the unit to heat or cool the room to the temperature desired. Check section on dipswitch settings. Unit air filters are dirty. Room is excessively hot or cold when unit is started. Vent door left open. Unit may be in a protection mode. Compressor is in time delay.	Make sure that curtains,blinds or furniture are not restricting or blocking unit airflow. Reset to a lower or higher temperature setting. Remove and clean filters. Allow sufficient amount of time for unit to heat or cool the room. Start heating or cooling early before outdoor temperature,cooking heat or gatherings of people make room uncomfortable. Close vent door. Check dipswitch and wall thermostat settings for desired comfort. Wait approximately 3 minutes for compressor to start.
DISPLAY HAS STRANGE NUMBERS/ CHARACTERS ON IT	The unit may be in a protection mode. The unit may be set for OC (instead of OF).
UNIT MAKING NOISES	Clicking,gurgling and whooshing noises are normal during operation of unit.
WATER DRIPPING OUTSIDE	If a drain kit has not been installed, condensation dripping during very hot and humid weather is normal. See Note 2. If a drain kit has been installed and is connected to a drain system, check gaskets and fittings around drain for leaks and plugs.
WATER DRIPPING INSIDE Wall sleeve is not installed level	Wall sleeve must be installed level for proper drainage of condensation. Check that installation is level and make any necessary adjustments.
ICE OR FROST FORMS ON INDOOR COIL Low outdoor temperature Dirty filters	When outdoor temperature is approximately 55°F or below, frost may form on the indoor coil when unit is in Cooling mode. Switch unit to FAN operation until ice or frost melts. Remove the clean filters.
COMPRESSOR PROTECTION Power may have cycled,so compressor is in a restart protection.	Random Compressor restart-Whenever the unit is plugged in,or power has been restarted,a random compressor restart will occur. After a power outage,the compressor will restart after approximately 3 minutes. Compressor Protection-To prevent short cycling of the compressor, there is a random startup delay of 3 minutes and a minimum compressor run time of 3 minutes.
ELECTRIC HEATING FAILURE	Clean the evaporator once every three months by professional people.

NOTES:

1. If circuit breaker is tripped or fuse is blown more than once,contact a qualified electrician.
2. If unit is installed where condensation drainage could drip in an undesirable location,an accessory drain kit should be installed and connected to drain system.

Normal Operating Sounds

- You may hear a pinging noise caused by water being picked up and thrown against the condenser on rainy days or when the humidity is high. This design feature helps remove moisture and improve efficiency.
- You may hear the thermostat click when the compressor cycles on and off.
- Water will collect in the base pan during high humidity or on rainy days. The water may overflow and drip from the outdoor side of the unit.
- The fan may run even when the compressor does not.

Notes

Hotpoint PTAC Limited Warranty

LIMITED WARRANTY

Hotpoint.com

Hotpoint is backed by **GE Appliances Service**. All warranty service is provided by our Factory Service Centers, or an authorized Customer Care® technician. You can schedule service online at Hotpoint.com/service or call GE Appliances Service at 800.GE.CARES (800.432.2737). Please have your model number available when calling.

For The Period Of:	Hotpoint Will Replace:
One Year From the date of the original purchase	Any part of the air conditioner which fails due to a defect in materials or workmanship. During this limited one-year warranty , Hotpoint will provide, free of charge , all labor and related service cost to replace the defective part.
Five Year From the date of the original purchase	Sealed Refrigerating System, if any part of the sealed refrigerating system (the compressor, condenser, evaporator and all connecting tubing including the make up air system) should fail due to a defect in materials or workmanship. During this limited five-year warranty , Hotpoint will provide, free of charge , all labor and related service cost to replace the defective part.
Second through Fifth Year From the date of the original purchase	Fan Motors, Switches, Thermostat, Heater, Heater Protectors, Compressor Overload, Solenoids, Circuit Boards, Auxiliary Controls, Thermistors, Freeze Sentinel, Frost Controls, ICR Pump, Capacitors, Varistors and Indoor Blower Bearings , if any of these parts should fail due to a defect in materials or workmanship. During this additional four-year limited warranty , the customer will be responsible for any labor and related service costs.

What Hotpoint Will Not Cover:

- Service trips to your site to teach you how to use the product.
- Improper installation, delivery or maintenance.
- If you have an installation problem, or if the air conditioner is of improper cooling capacity for the intended use, contact your dealer or installer. You are responsible for providing adequate electrical connecting facilities.
- In commercial locations, labor necessary to move the unit to a location where it is accessible for service by an individual technician.
- Failure or damage resulting from corrosion due to installation in an environment containing corrosive chemicals.
- Replacement of fuses or resetting of circuit breakers.
- Failure of the product resulting from modifications to the product or due to unreasonable use, including failure to provide reasonable and necessary maintenance.
- Failure or damage resulting from corrosion due to installation in a coastal environment, except for models treated with special factory-applied anti-corrosion protection as designated in the model number.
- Damage to product caused by improper power supply voltage, accident, fire, floods or acts of God.
- Incidental or consequential damage to personal property caused by possible defects with this air conditioner.
- Damage caused after delivery.
- Product not accessible to provide required service.

Staple your receipt here. Proof of the original purchase date is needed to obtain service under the warranty.

EXCLUSION OF IMPLIED WARRANTIES
Your sole and exclusive remedy is product repair as provided in this Limited Warranty. Any implied warranties, including the implied warranties of merchantability or fitness for a particular purpose, are limited to one year or the shortest period allowed by law.

This limited warranty is extended to the original purchaser and any succeeding owner for products purchased for home use within the USA. If the product is located in an area where service by a Hotpoint Appliances Authorized Servicer is not available, you may be responsible for a trip charge or you may be required to bring the product to an Authorized Hotpoint Appliances Service location for service. In Alaska, the limited warranty excludes the cost of shipping or service calls to your home.

Some states do not allow the exclusion or limitation of incidental or consequential damages. This limited warranty gives you specific legal rights, and you may also have other rights which vary from state to state. To know what your legal rights are, consult your local or state consumer affairs office or your state's Attorney General.

Warrantor: GE Appliances, a Haier company
Louisville, KY 40225

Consumer Support

Hotpoint Appliances Website

Visit www.hotpoint.com for all of your product and support needs.

Register Your Appliance

Register your new appliance on-line at your convenience! Timely product registration will allow for enhanced communication and prompt service under the terms of your warranty, should the need arise. You may also mail in the pre-printed registration card included in the packing material.

Hotpoint.com/register

Schedule Service

Expert GE Appliances repair service is only one step away from your door. Get on-line and schedule your service at your convenience any day of the year. In the US: Hotpoint.com/service or call 800.432.2737 during normal business hours.

For service or parts in Canada, contact your distributor.

Extended Warranties

You may purchase a Hotpoint Appliances extended warranty online at Hotpoint.com/extended-warranty.com or call 800-626-2224.

Parts and Accessories

Individuals qualified to service their own appliances can have parts or accessories sent directly to their homes (VISA, MasterCard and Discover cards are accepted). Order on-line today 24 hours every day.

In the US: GEApplianceparts.com or by phone at 877.959.8688 during normal business hours.

Instructions contained in this manual cover procedures to be performed by any user. Other servicing generally should be referred to qualified service personnel. Caution must be exercised, since improper servicing may cause unsafe operation.

Contact Us

If you need to contact us for any reason, please visit Hotpoint.com/contact or call 800.626.2005.

You may also write to:

In the US: General Manager, Customer Relations | GE Appliances, Appliance Park | Louisville, KY 40225

GEAppliances.com/ge/service-and-support/contact.htm

CONDITIONNEUR D'AIR MONOBLOC

INFORMATION DE SÉCURITÉ ...	3
UTILISATION DU CONDITIONNEUR D'AIR	
Commandes	4
Fonctions	5
Configuration des commutateurs DIP.	6
Installation du thermostat mural	7
ENTRETIEN ET NETTOYAGE ...	9
INSTALLATION	10
CONSEILS DE DÉPANNAGE ...	12
Bruits de fonctionnement normaux.	13
GARANTIE LIMITÉE	15
SOUTIEN AU CONSOMMATEUR	16

Manuel d'utilisation et instructions d'installation

AH12E07D
AH12H07D
AH12E09D
AH12H09D/E
AH12E12D
AH12H12D/E
AH12E15D
AH12H15D

Inscrivez les numéros de modèle et de série ici :

No modèle _____

No série _____

Vous trouverez ces numéros sur l'étiquette sur le devant du plateau de fond derrière la grille frontale.

CONSIGNES DE SÉCURITÉ IMPORTANTES

LISEZ TOUTES LES INSTRUCTIONS AVANT L'UTILISATION

⚠ AVERTISSEMENT

Pour votre sécurité, les instructions de ce manuel doivent être suivies afin de minimiser le risque d'incendie, d'explosion, de décharge électrique et éviter les dommages matériels, les blessures graves ou mortelles.

PRÉCAUTIONS DE SÉCURITÉ

Risque d'électrocution. Peut causer des blessures, voire le décès. Pour votre sécurité, vous devez suivre les instructions de ce manuel pour réduire les risques d'incendie, de secousse électrique et de blessure.

- N'utilisez cet appareil que pour son usage prévu, tel que décrit dans le Manuel de l'utilisateur.
- Vous devez bien monter ce conditionneur, conformément aux Instructions de montage, avant de l'utiliser.
- Ne débranchez jamais votre conditionneur en tirant sur le cordon d'alimentation. Saisissez fermement la fiche et sortez-la droit de sa prise.
- Remplacez immédiatement tout cordon d'alimentation abîmé ou endommagé. Un cordon d'alimentation électrique endommagé ne doit pas être réparé mais plutôt remplacé par un autre cordon d'alimentation obtenu du fabricant. N'utilisez pas un cordon d'alimentation qui montre des fissures ou des signes d'abrasion sur sa longueur ou encore près de la prise ou du connecteur.
- Éteignez et débranchez votre climatiseur avant de procéder à une réparation ou un nettoyage.

REMARQUE : Nous vous recommandons instamment de faire effectuer tout service par un technicien qualifié.

- Pour votre sécurité...ne rangez jamais ou n'utilisez jamais des matériaux combustibles, de l'essence ou d'autres vapeurs ou liquides inflammables à proximité de cet appareil ou de tout autre appareil électroménager.
- Tous les conditionneurs contiennent des fluides frigorigènes qui, en vertu de la loi fédérale, doivent être retirés avant la mise au rebut de l'appareil. Si vous vous débarrassez d'un vieil appareil contenant des fluides frigorigènes, renseignez-vous sur la façon de faire auprès de l'entreprise qui s'occupe de la mise au rebut.
- Cet appareil n'est pas destiné à être utilisé par des personnes (y compris des enfants) ayant des capacités physiques, sensorielles ou mentales réduites ou un manque d'expérience et de connaissances, à moins qu'elles n'aient été supervisées ou formées concernant l'utilisation de l'appareil par une personne responsable de leur sécurité.

ALIMENTATION DE L'APPAREIL

⚠ AVERTISSEMENT

Risque d'électrocution. Peut causer des blessures, voire le décès. Cet appareil doit être mis à la terre correctement. Ne coupez ou n'enlevez jamais la broche de mise à la terre (la troisième broche de la fiche) du cordon d'alimentation. Pour votre sécurité personnelle, cet appareil doit être bien mis à la terre.

- Le cordon d'alimentation de cet appareil est muni d'une fiche triphasée (mise à la terre) qui correspond à une prise murale normale triphasée, pour réduire le danger de secousse électrique.
- Faites vérifier la prise murale et le circuit électrique par un électricien qualifié pour vous assurer que la prise est bien à la terre.
- Le cordon d'alimentation peut comprendre un mécanisme d'interruption de courant. Un bouton d'essai et de remise en marche est fourni sur le boîtier de la prise. Vous devez essayer le mécanisme périodiquement en appuyant d'abord

sur le bouton TEST (essai) puis sur le bouton RESET (remise en marche). Si le bouton TEST ne bascule pas ou si le bouton RESET ne reste pas enfoncé, cessez d'utiliser votre conditionneur d'air et appelez un technicien de service qualifié.

- Si vous avez une prise biphasée, vous êtes personnellement responsable et obligé de la faire remplacer par une prise murale triphasée bien mise à la terre.

⚠ AVERTISSEMENT Risque d'électrocution. Peut causer des blessures, voire le décès.

- Vous devez toujours brancher le conditionneur dans sa propre prise électrique, d'un voltage qui correspond à la plaque signalétique. Cela vous permettra d'obtenir le meilleur rendement et empêchera la surcharge des circuits électriques de la maison, qui risque d'occasionner un danger d'incendie.
- Consultez les Instructions de montage, section des Exigences électriques, pour les exigences de branchements électriques particuliers.

UTILISATION DE RALLONGES

⚠ AVERTISSEMENT RISQUE D'INCENDIE. Peut occasionner des blessures graves ou la mort.

- NE PAS utiliser de rallonge avec ce climatiseur terminal emballé.
- NE PAS utiliser de parasurtenseur ou d'adaptateur à monobloc ce climatiseur.

LIRE ET CONSERVEZ CES INSTRUCTIONS

CONSIGNES DE SÉCURITÉ IMPORTANTES

LISEZ TOUTES LES INSTRUCTIONS AVANT L'UTILISATION

⚠ AVERTISSEMENT

Risque d'incendie ou d'explosion. Cet appareil contient un réfrigérant inflammable. Des consignes de sécurité supplémentaires doivent être observées

- N'utilisez pas de moyens visant à accélérer le dégivrage ou le nettoyage autres que ceux recommandés par le fabricant.
- Le produit doit être entreposé dans une pièce exempte de sources d'allumage qui fonctionnent sans interruption (par exemple : flammes nues, appareil à gaz en fonctionnement ou chauffage électrique en fonctionnement).
- Abstenez-vous de percer ou de brûler la tubulure de réfrigérant. Sachez que les réfrigérants peuvent être inodores.
- Gardez les orifices de ventilation libres de toute obstruction.
- Lors de la manipulation, de l'installation et de l'utilisation de l'appareil, veillez à ne pas endommager la tubulure de réfrigérant.
- Ne percez pas de trou dans l'appareil.
- L'entretien, le nettoyage et les réparations doivent être effectués uniquement par des techniciens dûment formés pour manipuler des réfrigérants inflammables.
- GE Appliances ne prend pas en charge la réparation des composants étanches du système (c'est-à-dire des pièces contenant du réfrigérant) dans le climatiseur.
- Mettez le climatiseur au rebut conformément aux réglementations fédérale et locale. Les réfrigérants inflammables exigent des procédures de mise au rebut spéciales. Contactez les autorités locales pour la mise au rebut écologique de votre climatiseur.

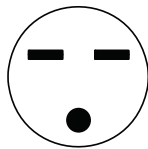
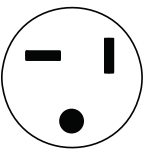
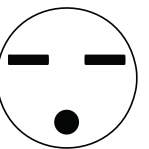

UTILISATION DE FICHES D'ADAPTATION

⚠ AVERTISSEMENT

Risque d'électrocution. Peut causer des blessures, voire le décès.

- Nous sommes absolument opposés à l'utilisation d'une fiche d'adaptation.
- Si vous devez utiliser une fiche d'adaptation, quand les codes locaux le permettent, vous pouvez établir un contact temporaire avec une prise murale biphasée bien mise à la terre, en utilisant une fiche d'adaptation homologuée UL en vente dans un grand nombre de quincailleries.
- La fente la plus grande de l'adaptateur doit être alignée à la plus grande fente de la prise murale pour obtenir une bonne polarité avec le cordon d'alimentation.
- Quand vous débranchez le cordon d'alimentation de l'adaptateur, tenez l'adaptateur en place en tirant la fiche du cordon d'alimentation avec votre autre main. Si vous ne le faites pas, vous casserez probablement la broche de mise à la terre de l'adaptateur.
- Si la broche de mise à la terre de l'adaptateur est cassée, **N'UTILISEZ PAS** le conditionneur avant de bien le remettre à la terre.
- Si vous fixez la broche de mise à la terre de l'adaptateur à une vis du couvercle de la prise murale, cela ne met pas à la terre l'appareil, à moins que la vis soit en métal et pas isolée et que la prise murale soit mise à la terre par l'intermédiaire du câblage de la maison. Vous devez faire vérifier le circuit par un électricien qualifié pour vous assurer que la prise est bien mise à la terre.

REMARQUE : La forme de la fiche peut différer selon le modèle.

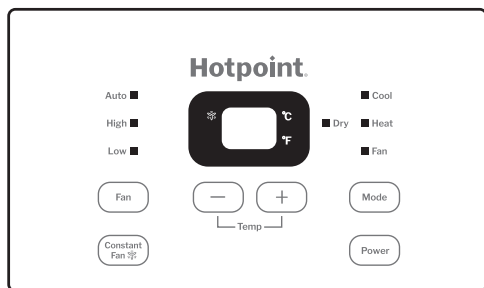
Réceptacle				
Tension	208/230V 15A	208/230V 20A	208/230V 30A	265V 20A

Pour plus d'informations sur le recyclage des appareils, rendez-vous sur le site GEAppliances.com/recycling

LIRE ET CONSERVEZ CES INSTRUCTIONS

Commandes

Commandes du conditionneur d'air



■ POWER (alimentation)

- Pressez le bouton POWER (alimentation) pour mettre l'appareil en marche ou en arrêt. Lorsque l'appareil est en marche, le voyant d'alimentation s'allume en vert. Le voyant s'éteint lorsque l'appareil est en arrêt.

■ MODE (mode)

- Pousser ce bouton pour faire défiler les modes dans la séquence COOL (ventilation) HEAT (chauffage) FAN (ventilation) DRY. Le voyant vis-à-vis l'option MODE s'allumera pour identifier le mode sélectionné.
- **COOL (climatisation) :** La plage des réglages de température s'étend de 62 °F à 86 °F. La climatisation débute automatiquement lorsque la température ambiante est au-dessus du point de réglage, et cesse lorsque la température ambiante est de 4 °F sous le point de réglage. Mais le compresseur fonctionnera durant 3 minutes au minimum dans le mode COOL avant de s'arrêter. Le ventilateur est configuré à l'usine pour fonctionner en continu lorsqu'il est en mode refroidissement.
- **HEAT (chauffage) :** La plage des réglages de température s'étend de 62 °F à 84°F. Dans le cas des modèles à thermopompe, l'appareil peut fonctionner en alternance entre le mode de chauffage à cycle inversé et le mode de chauffage électrique en fonction de la différence entre la température réglée et la température ambiante. Le ventilateur fonctionne en alternance.

Les moteurs du ventilateur intérieur démarrent avant le compresseur et s'arrêtent après son arrêt.

REMARQUE : Le chauffage en cycle inversé et le chauffage électrique ne fonctionnent pas en même temps. Dans les cas suivants, il est normal que le compresseur ne fonctionne pas..

1. Lorsque la température extérieure est inférieure à 40 °F ou que la température ambiante chute de 8 °F au-dessous du point de réglage de la température.
2. Afin de prévenir les cycles courts, le compresseur s'arrête durant un minimum de 3 minutes entre les cycles.
3. Lorsque le gel s'accumule sur le serpentin, le compresseur s'éteint pendant que le ventilateur intérieur continue de fonctionner pour dégivrer le serpentin.

- **FAN (ventilateur) :** Fonctionnement du ventilateur seul, sans chauffage et climatisation.

REMARQUE : La plage des réglages de température peut être modifiée. Voir la section CONFIGURATIONS DES COMMUTATEURS DIP à la page 6 pour plus de renseignements.

- **DRY (déshumidification) :** Permet de régler l'appareil en mode refroidissement et à faible vitesse du ventilateur pour faciliter la déshumidification.

■ BOUTONS PLUS/MOINS (+ / -)

- Poussez le bouton PLUS (ou MOINS) pour augmenter (ou diminuer) le réglage de température de l'appareil en mode climatisation ou chauffage. On peut régler la température par paliers de 1 °F. La température réglée apparaîtra sur l'afficheur.

REMARQUE : Maintenez une pression simultanément sur les boutons « + » et « - » durant 3 secondes pour basculer l'affichage de température entre les unités °C et °F.

■ FAN (vitesse du ventilateur)

- Chaque pression sur ce bouton fait défiler le ventilateur dans les vitesses suivantes : AUTO, HIGH, LOW.

■ CONSTANT FAN (ventilateur constant)

- Offre le choix de faire fonctionner le ventilateur intérieur en continu ou de le mettre en marche / arrêt avec le compresseur. Une icône de ventilateur apparaît près de l'écran lorsque le ventilateur est en mode constant. En mode cycle, le ventilateur fonctionnera pendant plusieurs secondes après l'arrêt du compresseur. Ce commutateur n'est pas actif en mode Chauffage.

■ AFFICHAGE :

- En mode Ventilateur seul, la température ambiante est affichée.

Commande et codes d'erreur (certains modèles) :

LC - Les boutons poussoirs sur le panneau de commande ne sont pas disponibles. L'appareil se commande par thermostat mural seulement.

FC - Les boutons poussoirs sur le panneau de commande et le thermostat mural ne sont pas disponibles. L'appareil se commande par CONSOLE FRONTALE seulement

Codes d'erreur :

- AS** - Erreur de détection de la température ambiante;
- ES** - Erreur de détection de la température de l'évaporateur;
- CS** - Erreur de détection de la température condenseur;
- OS** - Erreur de détection de la température extérieure;
- HS** - Erreur de détection de la température d'évacuation;
- LE** - Erreur de commande câblée;

REMARQUE : Lorsque des erreurs surviennent, débranchez l'appareil puis rebranchez-le. Si l'erreur persiste, faites un appel de service.

Climatisation	Temp. extérieure :	64-109°F
	Temp. intérieure :	62-90°F
Chauffage	Temp. extérieure :	23-76°F
	Temp. intérieure :	32-80°F

Autres codes :

- LO** - Température ambiante inférieure à 32 °F;
- HI** - Température ambiante supérieure à 99 °F;
- FP** - Protection contre la basse température.

REMARQUE : Toutes les illustrations dans ce manuel servent à des fins explicatives seulement. Votre conditionneur d'air peut être légèrement différent.

REMARQUE : Ce climatiseur est conçu pour fonctionner dans les conditions énumérées ci-dessus.

REMARQUE : Le fonctionnement hors de ces plages de températures peut réduire le rendement de l'appareil.

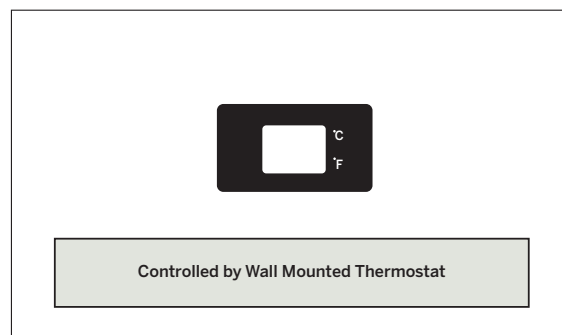
Commandes

Thermostat à distance en accessoire

REMARQUE : Lorsque l'appareil est contrôlé par un thermostat mural à distance (voir pages 6 et 7), l'appareil affiche « LC ». L'accessoire en option fourni avec l'appareil indiquant que celui-ci est contrôlé par un thermostat mural (Controlled by Wall Mounted Thermostat) peut être installé au panneau de commande pour informer l'invité.

REMARQUE : Certaines fonctions ont un délai de 3 secondes après la pression du bouton.

REMARQUE : Lorsqu'il y a des différences de fonction entre le manuel d'utilisation et le thermostat à distance, c'est la description du manuel d'utilisation qui prévaut.



Fonctions

Cet appareil dispose de plusieurs fonctions. Le réparateur doit se familiariser avec ces fonctions afin de réparer l'appareil correctement.

Délai de redémarrage du compresseur

Cette fonction prolonge la durée de vie du compresseur en prévenant les cycles courts du conditionneur d'air. Lorsque le compresseur démarre, l'appareil est conçu pour fonctionner durant un minimum de 3 minutes. Le compresseur sera alors en arrêt durant un minimum de 3 minutes pour équilibrer la pression du réfrigérant avant de redémarrer.

Mémoire

L'appareil est doté d'une mémoire. S'il y a panne de courant, tous les réglages de commande (mode, vitesse du ventilateur, marche/arrêt et configuration) sont sauvegardés. Une fois le courant rétabli l'appareil va démarrer dans le mode (et la configuration) dans lequel il se trouvait avant la panne.

Protection automatique contre le givrage de l'évaporateur

Un capteur sur le serpentin intérieur surveille la température du serpentin et mettra le compresseur en arrêt jusqu'à ce que celui-ci se réchauffe. Le ventilateur intérieur continuera de fonctionner.

Réchauffage rapide et automatique (Modèles à thermopompe seulement)

Si la température ambiante chute de 8 °F au-dessous du point de réglage de la température, le chauffage à cycle inversé est éteint et le chauffage électrique est allumé pour un cycle, jusqu'à ce que la température ambiante soit satisfaisante.

Voyants DEL et boutons

L'appareil est doté de voyants correspondant au mode, à la vitesse du ventilateur, à la mise en marche/arrêt et au point de réglage de température pour indiquer l'état de l'appareil. Les voyants pour HIGH (élevée), MED (moyenne) et LOW (basse) indiquent la vitesse de ventilateur sélectionnée. Les voyants pour FAN (ventilateur), COOL (climatisation) et HEAT (chauffage) indiquent le mode de fonctionnement actif. Le voyant pour POWER (marche/arrêt) indique si l'appareil est en marche ou en arrêt. Si l'appareil est en mode ON (marche), le voyant sera allumé en vert. Ce voyant s'éteint lorsque l'appareil est en arrêt.

Protection contre les températures élevées en chauffage

Le compresseur et/ou le chauffage électrique seront en arrêt afin de prévenir les dommages lorsque la température intérieure est élevée ou si le capteur de température intérieure est défaillant.

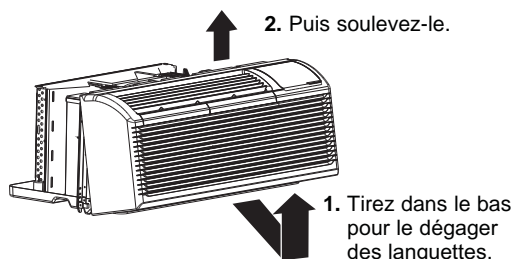
Configuration de l'appareil - °F ou °C

L'appareil peut afficher °F ou °C. Voir la page 6.

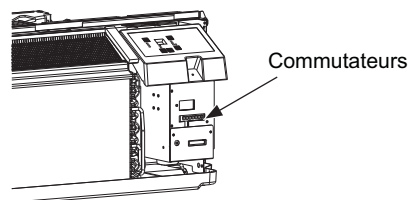
Configuration des commutateurs DIP

RETRAIT DU PANNEAU FRONTAL

Les commutateurs DIP sont situés derrière le panneau frontal, à travers une ouverture sous le panneau de commande. Pour accéder, retirez le panneau frontal.



Les commutateurs DIP sont accessibles sans nécessité d'ouvrir la boîte de commande.



L'appareil doit être hors tension (OFF) pour changer la position des commutateurs DIP.

CONFIGURATIONS DES COMMUTATEURS DIP

Voyez le tableau et l'illustration ci-dessous pour les configurations et les fonctions des commutateurs DIP dans chacune de leurs positions.

(La position des commutateurs illustrée (partie foncée) est celle de l'usine)

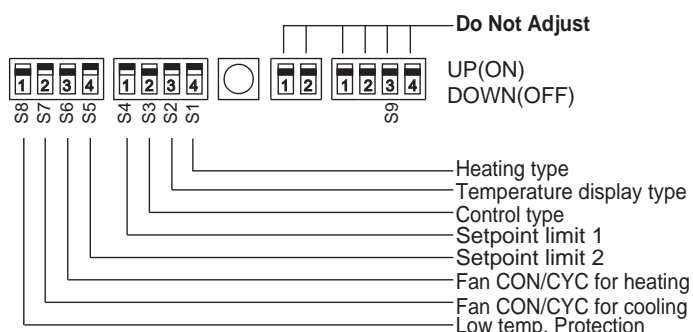


TABLEAU DE CONFIGURATION DES COMMUTATEURS DIP

N°	HAUT(ACTIVÉ)	BAS (DÉSACTIVÉ)	Remarques
S1	Chauffage électrique seulement	Chauffage électrique et thermopompe	Pour thermopompe seulement.
S2	Affichage de température en °F	Affichage de température en °C	
S3	Activation d'un thermostat mural	Activation du panneau de commande	
S4*S5	S4▲ S5▲ 61°F - 86°F * S4▲ S5▼ 65°F - 78°F S4▼ S5▲ 63°F - 80°F S4▼ S5▼ 68°F - 75°F		La sélection de la plage des points de consigne (réglages) du thermostat de l'appareil s'effectue par deux configurations (S4*S5).
S6	Ventilateur en continu pour chauffage	Ventilateur en alternance pour chauffage	
S7	Ventilateur en continu pour climatisation	Ventilateur en alternance pour climatisation	
S8	Activation de protection basse temp.	Désactivation de protection basse temp.	Facultatif

* **REMARQUE** : Le réglage de température maximale est 86 °F en refroidissement et 84 °F en chauffage.

Activation d'un thermostat mural

Un thermostat mural peut être connecté à l'appareil. Si c'est le cas, le commutateur DIP S3 doit être déplacé à la position d'activation du thermostat mural (HAUTE), avant que le thermostat mural puisse contrôler l'appareil. Pour le bon fonctionnement du thermostat mural, assurez-vous que le commutateur DIP S9 est dans la position basse.

Protection contre basse température (facultatif)

Si l'appareil détecte une température ambiante au-dessous de 32 °F, le moteur du ventilateur et le chauffage électrique s'allumeront pour réchauffer la pièce à 40 °F. Le ventilateur et le chauffage s'arrêteront brièvement une fois la température satisfaite.

Chauffage électrique seulement (pour thermopompe seulement)

Ce réglage est généralement utilisé pour le chauffage d'urgence.

Commutateurs DIP CON/CYC - Ventilateur chauffage et climatisation

Ils permettent au ventilateur de fonctionner dans les modes en continu ou en alternance pendant que l'appareil se trouve en mode chauffage ou climatisation.

CON(Continu)

Il permet au ventilateur de fonctionner en continu, faisant circuler l'air même lorsque le réglage de température a été satisfait. Ce commutateur contribue à maintenir une température ambiante proche du réglage du thermostat.

CYC(Cycle)

Ce réglage permet au ventilateur de se mettre en marche et en arrêt en alternance avec le compresseur ou le chauffage électrique. Le ventilateur s'arrête peu de temps après l'atteinte de la température de réglage.

Limites de la plage des températures de réglage

Permet de restreindre la plage des températures de réglage.

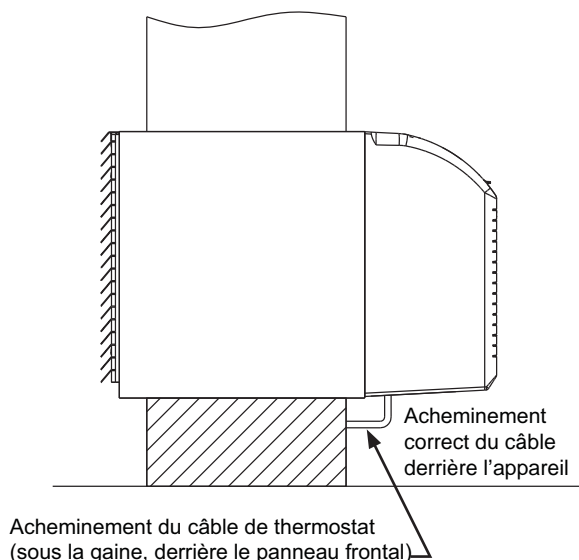
Installation d'un thermostat mural (facultatif)

IMPORTANT

Seul un personnel qualifié doit avoir accès au panneau électrique sur l'appareil et installer les accessoires électriques. Veuillez contacter votre électricien, revendeur ou distributeur local pour de l'assistance.

Acheminement du câble du thermostat

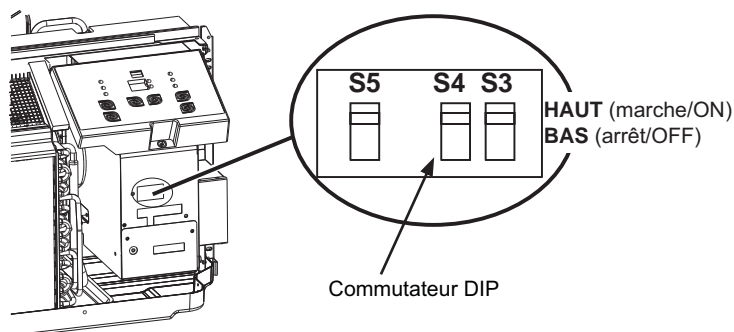
Le câble du thermostat doit être acheté localement. Nous recommandons un câble de thermostat solide de calibre 18 à 20. **REMARQUE** : Nous recommandons de prévoir des câbles supplémentaires soient acheminés à l'appareil en cas de dommages pendant l'installation. Il faut toujours acheminer le câble de thermostat autour ou en dessous de la gaine murale **JAMAIS** à travers celle-ci. Le câble doit alors être acheminé derrière le panneau frontal jusqu'au connecteur facilement accessible.



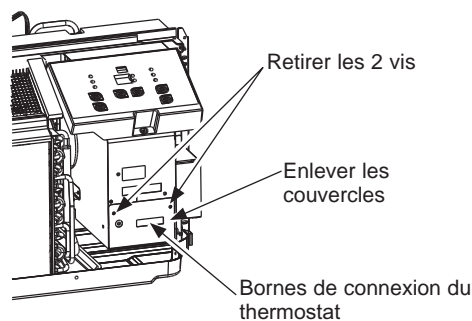
REMARQUE : Reportez-vous aux instructions d'installation du thermostat pour des détails sur la façon de l'installer.

Activation du thermostat mural

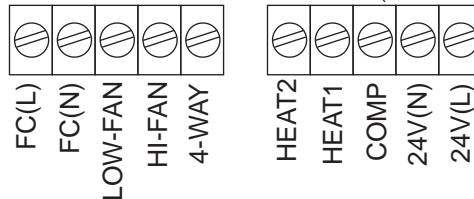
- Mettez l'appareil en arrêt (hors tension).
- L'appareil doit être hors tension (OFF) pour changer la position des commutateurs DIP.
- Basculez les commutateurs DIP S3, S4 et S5 en position UP (ON), comme indiqué ci-dessous. Voyez la page 6 pour les positions et les fonctions des commutateurs DIP.



Instructions d'installation pour le thermostat du conditionneur d'air monobloc



Terminal of PTAC Wall Thermostat (MODE A)



Retirez les deux vis tel qu'illustré ci-dessous et enlevez le couvercle.

- Insérez les fils du thermostat mural dans les bornes appropriées selon les instructions du fabricant.

Borne	Désignation
FC(L)	Borne L pour console frontale
FC(N)	Borne N pour console frontale
LOW-FAN	Vitesse ventilateur basse (GL)
HI-FAN	Vitesse ventilateur élevée (GH)
4-WAY	Robinet 4 voies; Cycle inversé (alimenté pour chauffage) Pour modèles thermopompe (
HEAT2	Non utilisé
HEAT1	Chauffage électrique 1 (W)
COMP	Compresseur (Y)
24V(N)	Borne N (neutre) 24VCA, C (Common)
24V(L)	Borne L 24VCA (sous tension) (R)

Installation d'un thermostat mural (suite)

⚠ ATTENTION

RISQUE DE DOMMAGE À L'APPAREIL

L'omission de respecter cette mise en garde peut occasionner un dommage à l'équipement ou un fonctionnement incorrect. Un câblage inapproprié peut endommager l'électronique de l'appareil. Le câblage de type domestique n'est pas permis. Cela pourrait causer des dommages ou un fonctionnement erratique.

REMARQUE :

- Utilisez la borne "4-WAY" seulement pour la connexion de thermopompe de type B.
- Réglez le délai de protection du compresseur à plus de 3 minutes dans le thermostat mural. Si le réglage est inférieur à 3 minutes, le compresseur se verra ajouter un délai de 3 minutes additionnelles.
- Le thermostat mural doit être réglé correctement selon le type d'appareil : thermopompe ou sans thermopompe.
- Pour les modèles à thermopompe, le thermostat mural doit être de type B, capable d'énergiser un robinet inverseur à 4 voies.
- Pour les thermostats avec une seule sortie de vitesse de ventilateur (On (marche) ou auto), la vitesse est déterminée d'après la façon dont le connecteur de borne est câblé. Si une vitesse basse est désirée, câblez la sortie G depuis le thermostat jusqu'à (LOW-FAN) sur le bornier de l'appareil. Si une vitesse élevée est désirée, câblez la sortie G depuis le thermostat jusqu'à (HI-FAN) sur le bornier de l'appareil.
- La plage des réglages de température du thermostat mural doit être en accord avec la plage des réglages des commutateurs DIP.
- Veuillez ne pas enlever le panneau de commande.

CONSOLE FRONTALE

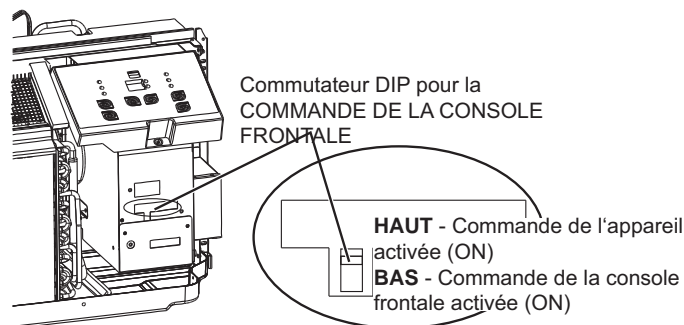
L'appareil est conçu pour fonctionner avec une console frontale par signaux de commutateur. Le commutateur de commande de la console frontale d'une pièce particulière est connecté de façon indépendante aux bornes à vis FC(L) et FC(N) (illustrées page 7) d'un climatiseur unique. Les commutateurs de commande de la console et le câblage sont fournis par d'autres.

Le système à commutateurs de la console frontale nécessite un signal de 24 VCA pour fonctionner. Utilisez le chemin des bornes R et C jusqu'au commutateur de la console puis retournez aux bornes FC(L) et FC(N).

Pour activer la commande de la console frontale, mettez l'appareil hors tension et placez le commutateur DIP dans la position basse.

Si le commutateur de la console est ouvert, l'appareil cesse de fonctionner.

Lorsque la console ferme son commutateur, le signal 24 VCA de l'appareil parcourt le circuit et demande à l'appareil de s'allumer et de suivre les commandes de l'appareil/du thermostat distant.



L'appareil est expédié de l'usine avec le commutateur DIP de la commande de console frontale dans la position HAUTE.

L'appareil doit être hors tension (OFF) pour changer la position des commutateurs DIP.

Entretien et nettoyage

Panneau frontal et boîtier

- Mettez l'appareil en arrêt et débranchez l'alimentation électrique. Pour nettoyer, utilisez de l'eau et un détergent doux. N'utilisez pas de javellisants ni d'abrasifs. Certains nettoyants du commerce peuvent endommager les pièces en plastique.

Serpentins extérieurs

- Les serpentins du côté extérieur de l'appareil doivent être inspectés régulièrement. L'appareil devra être retiré de sa gaine murale afin d'inspecter le niveau de saleté qui s'accumulera sur l'intérieur du serpentin. S'ils sont encrassés par la saleté et les débris, les serpentins doivent être nettoyés par un professionnel. Nettoyez l'intérieur et l'extérieur des serpentins extérieurs régulièrement.

REMARQUE : N'utilisez jamais un vaporisateur haute pression sur les serpentins. N'utilisez pas de nettoyants à base d'acide.

⚠ ATTENTION

RISQUE DE DOMMAGE À L'APPAREIL

L'omission de respecter cette mise en garde peut occasionner un dommage à l'équipement ou un fonctionnement incorrect.

La restriction de la circulation d'air peut endommager l'appareil.

Filtres à air

IMPORTANT : METTEZ L'APPAREIL EN ARRÊT AVANT LE NETTOYAGE.

⚠ ATTENTION

RISQUE DE DOMMAGE À L'APPAREIL

L'omission de respecter cette mise en garde peut occasionner un dommage à l'équipement ou un fonctionnement incorrect.

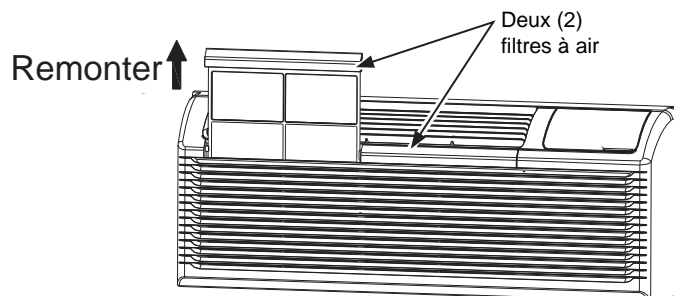
- N'utilisez pas l'appareil sans les filtres bien en place. Si un filtre se déchire ou s'endommage, il doit être remplacé immédiatement.
- Un appareil qui fonctionne sans les filtres bien en place ou avec un filtre endommagé permettra à la saleté et la poussière d'atteindre les serpentins intérieur et réduira l'efficacité de la climatisation, du chauffage, de la circulation d'air et de l'appareil. La restriction de la circulation d'air peut causer des dommages à l'appareil.

- Le geste le plus important que vous pouvez faire pour maintenir l'efficacité de l'appareil est de nettoyer les filtres une fois toutes les deux semaines ou selon la nécessité. Des filtres encrassés réduisent l'efficacité de la climatisation, du chauffage et de la circulation d'air.

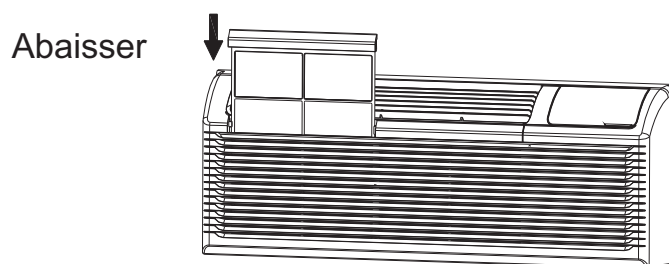
- **Garder les filtres propres permettra :**
 - de diminuer les coûts de fonctionnement;
 - d'économiser l'énergie;
 - de prévenir l'encrassement des serpentins intérieurs;
 - de réduire le risque de défaillance prématurée d'un composant.

- **Pour nettoyer les filtres à air :**
 - éliminez le gros de la saleté avec l'aspirateur;
 - faites circuler de l'eau par le côté arrière du filtre;
 - séchez à fond avant de le replacer.

- Retrait du filtre à air



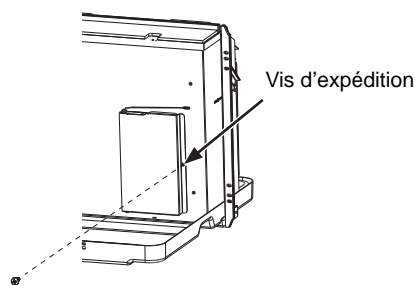
- Remise en place du filtre à air



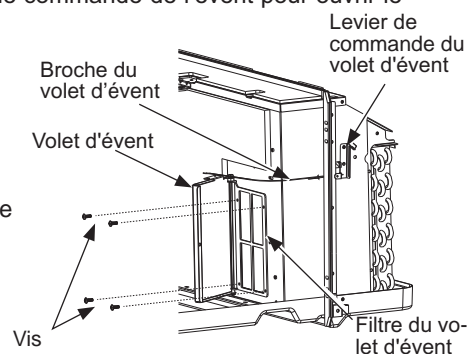
FILTRE GRILLAGÉ DU VOLET D'ÉVENT (requis seulement si utilisé)

IMPORTANT : METTEZ L'APPAREIL EN ARRÊT AVANT LE NETTOYAGE.

- Si le volet d'évent est ouvert, l'accès nécessite le retrait de l'appareil de la gaine murale. Vérifiez le filtre d'évent deux fois par année ou au besoin.d.
- Assurez-vous de retirer les vis d'expédition du volet d'évent.



- Tournez le levier de commande de l'évent pour ouvrir le volet.
- Retirez quatre vis du filtre du volet d'évent.
- Tirez d'abord la broche du trou du volet, puis retirez le volet et le filtre.
- Nettoyez le filtre. Séchez à fond avant de le replacer.
- Remplacez le volet d'évent et le filtre, reposez les quatre vis.
- Réinsérez la broche dans le trou du volet d'évent.



Installation

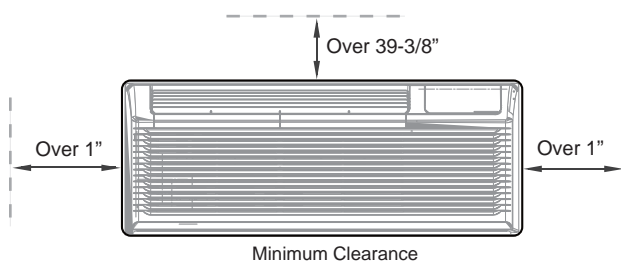
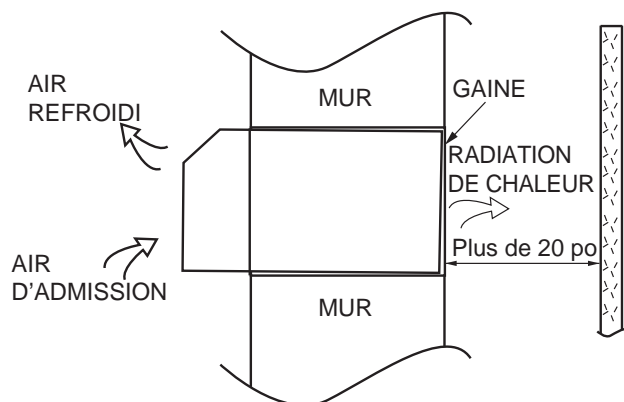
Préparation de l'installation

⚠ ATTENTION

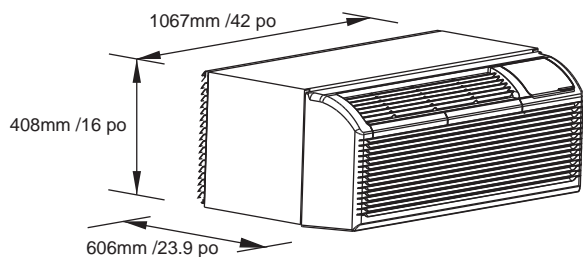
Des bords coupants peuvent causer des coupures sévères. Deux personnes sont requises pour soulever le conditionneur d'air.

- Si une gaine murale existe déjà, mesurez ses dimensions.
- Installez le nouveau conditionneur d'air selon ces instructions pour obtenir le meilleur rendement. Toutes les gaines murales utilisées pour monter le nouveau conditionneur d'air doivent présenter un bon état structural et une grille arrière qui se fixe solidement à la gaine ou à ses rebords pour bien assujettir le nouveau conditionneur d'air.
- Afin de prévenir les vibrations et le bruit, vérifiez que l'appareil est installé solidement.
- En installant la gaine murale, assurez-vous qu'aucun objet ne se trouve sur une distance de 20 pouces de l'arrière car cela pourrait nuire à la radiation de chaleur et la circulation d'air d'échappement.

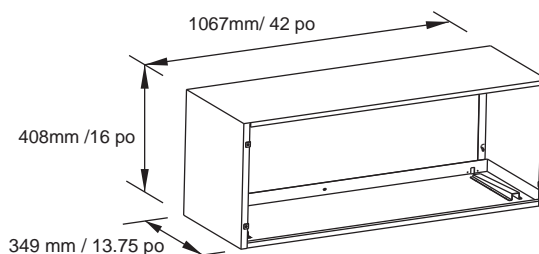
PRÉPARATION DE L'ASSEMBLAGE DE GAINES (facultatif)



Dimensions du conditionneur d'air



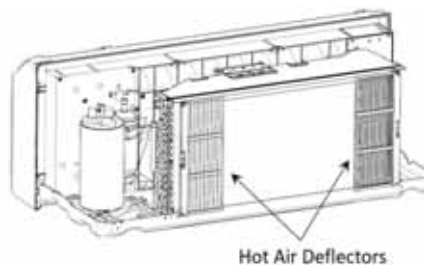
Dimensions de la gaine (facultatif)



- Reportez-vous aux instructions d'installation de l'assemblage de gaine pour les détails.

Remarque : Les appareils à 265 volts nécessitent l'installation d'un socle sur la gaine murale. Pour monter le socle sur la gaine murale, la gaine murale doit s'étendre d'un minimum de 2 3/8 po dans la pièce.

PRÉPARATION DE L'ASSEMBLAGE DE GRILLE ARRIÈRE (facultatif)



- Reportez-vous aux instructions d'installation de l'assemblage de gaine pour les détails. La grille (arrière) extérieure doit être installée avant le châssis.

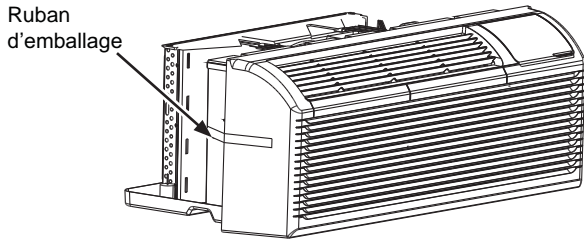
Remarque : L'appareil est livré avec des déflecteurs fixés sur le serpentin extérieur. Si la grille extérieure est dotée de déflecteurs d'air chaud intégrés ou fixés, retirez les déflecteurs avant l'installation.

Installation

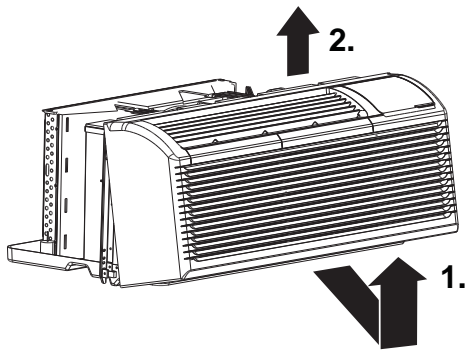
Préparation de l'installation

Installation de l'appareil

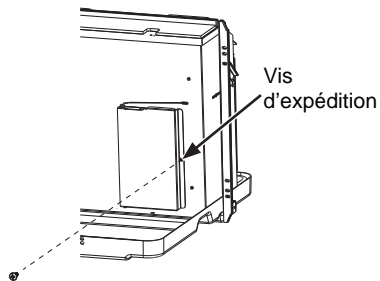
- Retirez avec soin tout ruban d'emballage du panneau frontal.



- Enlevez le panneau frontal.

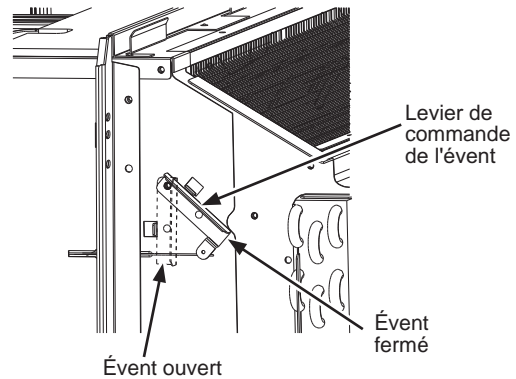


- Les climatiseurs monobloc Hotpoint sont munis d'un évent qu'on peut ouvrir afin d'introduire l'air extérieur dans la pièce. Pour ouvrir l'évent, retirez la vis d'expédition et ajustez l'évent au besoin avant de glisser l'appareil dans la gaine murale



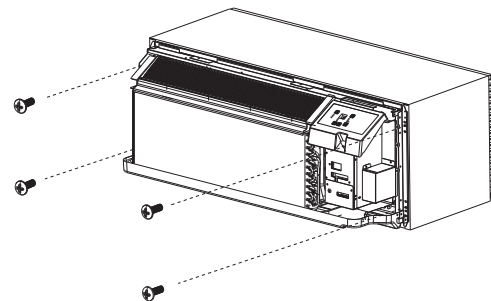
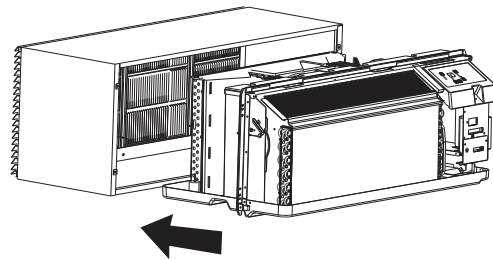
Installation de l'appareil (suite)

- Tournez le levier de commande de l'évent pour ouvrir ou fermer le volet.



REMARQUE : Lorsque le levier de commande de l'évent est réglé sur CLOSE (fermé), seul l'air à l'intérieur de la pièce est mis en circulation et filtré. Sur la position OPEN (ouvert), une certaine quantité d'air extérieur sera introduit dans la pièce. Cela réduira cependant l'efficacité du chauffage et de la climatisation.

- Levez le levier et glissez l'appareil dans la gaine murale jusqu'à ce qu'elle repose fermement contre le devant de la gaine, puis fixez avec 4 vis et rondelles (fournies avec L'ASSEMBLAGE DE GAINES) à travers les trous du rebord de l'appareil. Si des vis sont nécessaires, procurez-vous des vis cruciformes ou hexagonales no 10 x 1½ po chez votre quincaillier local.



⚠ ATTENTION

Ne placez pas d'obstacles autour de l'orifice d'entrée d'air de l'appareil ou à l'intérieur de l'orifice de sortie d'air de l'appareil, tels que rideaux de fenêtre, etc.
 Insérez toujours le filtre solidement. Nettoyez le filtre une fois toutes les 2 semaines tel que requis.

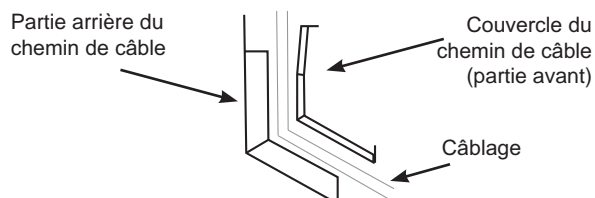
Installation

Installation de l'appareil (suite)

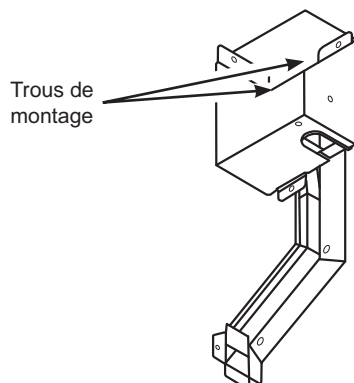
Modèles à 265 volts seulement :

REMARQUE : Un socle (acheté séparément) et un chemin de câble (inclus avec le produit) sont requis pour installer les modèles 265 V. L'omission de procéder ainsi ne sera pas conforme aux exigences de la NEC. Voir les instructions d'installation du socle.

- Le câblage est placé entre les deux moitiés du chemin de câble. Observez l'orientation du chemin de câble.

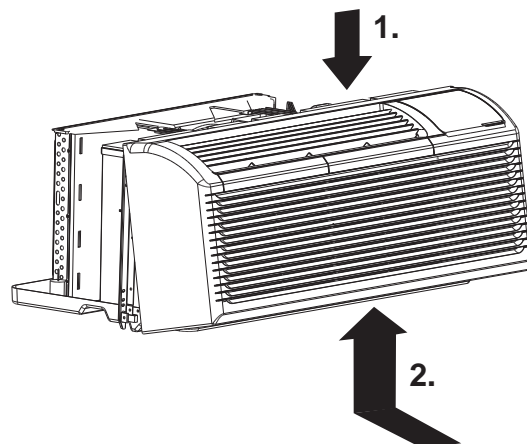


- Cordon électrique à l'intérieur, alignez les trous supérieurs et inférieurs des trous de vis des parties du chemin de câble. Réunissez les deux parties à l'aide des vis de type A incluses avec le chemin de câble.
- Retirez la boîte de jonction de l'appareil et alignez les trous oblongs du chemin de câble sur les trous du devant et du bas de la boîte de jonction. Fixez le chemin de câble à l'aide des vis fournies.



- Voyez les instructions d'installation du socle pour savoir comment fixer le chemin de câble sur le socle. Une fois le chemin de câble fixé sur le socle, faites pivoter l'assemblage « chemin de câble/boîte de jonction » vers le haut et fixez-le sur le châssis à l'aide des vis retirées précédemment.

- Réinstallez le panneau frontal. Placez les languettes au-dessus du profilé supérieur (1.). Poussez vers l'intérieur dans le bas jusqu'à ce que le panneau s'encliquète en place (2.).



Conseils de dépannage... avant d'appeler le service

Économisez temps et argent! Examinez d'abord les tableaux suivants, un appel de service sera peut-être inutile.

Cause probable	Solutions
L'APPAREIL NE DÉMARRE PAS L'appareil a été débranché Un fusible est grillé Le disjoncteur est déclenché L'appareil est en arrêt (hors tension) L'appareil est en mode de protection	Vérifiez que la fiche est insérée fermement dans la prise murale. REMARQUE : Les fiches 230/208 volts sont munies d'un bouton de test/réinitialisation. Assurez-vous que la fiche ne s'est pas déclenchée. Remplacez le fusible. Voyez la note 1. Réenclenchez le disjoncteur. Voyez la note 1. Mettez l'appareil en marche (sous tension) (bouton droit inférieur sur le clavier).
L'APPAREIL NE CLIMATISE/CHAUFFE PAS LA PIÈCE La partie d'évacuation d'air de l'appareil est bloquée Le réglage de la température n'est pas suffisamment élevé ou bas. REMARQUE : Les limites de la plage des réglages de température ne permettent peut-être pas de chauffer ou climatiser la pièce à la température désirée. Consultez la section sur le réglage des commutateurs DIP. Les filtres à air de l'appareil sont sales. La pièce est excessivement chaude ou froide lorsque l'appareil démarre Le volet d'évent a été laissé ouvert. L'appareil est en mode de protection. Le compresseur est en mode différé.	Assurez-vous la circulation d'air n'est pas limitée ou bloquée par des rideaux, des stores ou des meubles. Redémarrez avec un réglage de température inférieur ou supérieur. Enlevez et nettoyez les filtres. Allouez suffisamment de temps à l'appareil pour chauffer ou climatiser la pièce. Démarrez le chauffage ou la climatisation tôt avant que la température extérieure, la chaleur de la cuisson ou le rassemblement de personnes rendent la pièce inconfortable. Fermez le volet d'évent. Vérifiez les réglages des commutateurs DIP et du thermostat mural pour obtenir le confort souhaité. Patientez environ 3 minutes pour permettre au compresseur de démarrer.
L'AFFICHAGE PRÉSENTE DES NOMBRES/CARACTÈRES ÉTRANGES	L'appareil est en mode de protection. L'appareil est réglé sur OC (plutôt que OF).
L'APPAREIL FAIT DU BRUIT	Des sons de cliquetis, de gargouillement et de chuintement sont normaux pendant le fonctionnement de l'appareil.
DE L'EAU DÉGOUTTE À L'EXTÉRIEUR	Si une trousse de vidange du condensat n'a pas été installée, l'égouttement de la condensation durant une météo très chaude ou très humide est normal. Voyez la note 2. Si une trousse de vidange a été installée et raccordée au système de drainage, vérifiez les joints d'étanchéité et les raccords autour du drain pour déceler les fuites.
DE L'EAU DÉGOUTTE À L'INTÉRIEUR La gaine n'est pas installée de niveau	La gaine murale doit être installée de niveau afin de procurer une vidange du condensat adéquate. Vérifiez que l'installation est de niveau et apportez les corrections nécessaires s'il y a lieu.
DE LA GLACE OU DU GIVRE SE FORME SUR LES SERPENTINS INTÉRIEURS Température extérieure basse Filtres sales	Lorsque la température extérieure est d'environ 55 °F ou inférieure, du givre peut se former sur les serpentins intérieurs lorsque l'appareil est en mode Climatisation. Mettez l'appareil en mode FAN (ventilateur) jusqu'à ce que la glace ou le givre fondent. Enlevez et nettoyez les filtres.
PROTECTION DU COMPRESSEUR L'alimentation a été interrompue de sorte que le compresseur est en mode de protection au redémarrage.	Redémarrage aléatoire du compresseur - Lorsqu'on branche l'appareil ou que l'alimentation électrique est rétablie, un redémarrage aléatoire du compresseur se produit. Après une panne de courant, le compresseur va redémarrer au bout d'environ 3 minutes. Protection du compresseur - Afin de prévenir les cycles courts du compresseur, le système exécute un redémarrage aléatoire du compresseur au bout de 3 minutes et un fonctionnement minimal du compresseur de 3 minutes.
DÉFECTUOSITÉ DU CHAUFFAGE ÉLECTRIQUE	Faites nettoyer l'évaporateur une fois tous les trois mois par des professionnels.

REMARQUES :

1. Si le disjoncteur se déclenche plus d'une fois (ou si le fusible grille plus d'une fois), contactez un électricien qualifié.
2. Si l'appareil est installé là où la vidange du condensat peut dégoutter à un endroit indésirable, une trousse de vidange en accessoire peut s'installer et se raccorder au système de drainage.

Avant d'appeler un réparateur...

Sons de fonctionnement normaux

- Vous pouvez entendre un cliquetis causé par de l'eau captée puis projetée contre de condenseur les jours de pluie ou d'humidité élevée. Cette caractéristique contribue à éliminer l'humidité et améliorer l'efficacité.
- Vous pouvez entendre le thermostat cliqueter lorsque le compresseur alterne en marche-arrêt.
- L'eau sera collectée dans le plateau de fond durant les jours pluvieux ou d'humidité élevée. L'eau peut déborder et dégoutter du côté extérieur de l'appareil.
- Le ventilateur peut fonctionner même si le compresseur ne fonctionne pas.

Garantie limitée du conditionneur d'air monobloc Hotpoint

GARANTIE LIMITÉE

Hotpoint.com

Hotpoint est cautionné par GE Appliances Service. Tous les services de garantie sont fournis par nos centres de service d'usine, ou par un technicien Customer Care® agréé. Vous pouvez prévoir une visite de service en ligne sur **Hotpoint.com/service** ou appeler GE Appliances Service au 800.GE.CARES (800.432.2737). Veuillez avoir votre numéro de modèle à portée de la main en téléphonant.

Pendant :	Hotpoint Appliances remplacera :
Un an à compter de la date d'achat d'origine	Toute pièce du climatiseur qui se révèle défectueuse en raison d'un vice de matières ou de fabrication. Au cours de cette garantie limitée d'un an , Hotpoint Appliances couvrira gratuitement les frais de main-d'œuvre et les frais de service associés pour remplacer la pièce défectueuse.
Cinq ans à compter de la date d'achat d'origine	Toute pièce du système frigorifique scellé (le compresseur, le condensateur, l'évaporateur et toute la tubulure de raccordement y compris le système d'air d'appoint) qui se révèle défectueuse en raison d'un vice de matières ou de fabrication. Au cours de cette garantie limitée de cinq ans , Hotpoint Appliances couvrira gratuitement les frais de main-d'œuvre et les frais de service associés pour remplacer la pièce défectueuse.
La deuxième à la cinquième année à compter de la date d'achat d'origine	Moteurs de ventilateur, commutateurs, thermostat, éléments chauffants, dispositifs de protection des éléments chauffants, limiteur de surcharge du compresseur, solénoïdes, circuits imprimés, commandes auxiliaires, thermistances, sentinelle de gel, commandes de givre, pompe du système interne d'élimination du condensat, condensateurs, varistances, roulements du ventilateur intérieur, si l'une quelconque de ces pièces se révèle défectueuse en raison d'un vice de matières ou de fabrication. Au cours de cette garantie supplémentaire de 4 ans , vous devrez assumer tous les frais de main-d'œuvre et de service associés.

Ce qui n'est pas couvert :

- Toute visite à votre domicile pour vous expliquer le fonctionnement de l'appareil.
- Une installation, une livraison ou un entretien inadéquats.
- Pour tout problème d'installation, ou si le climatiseur n'assure pas une climatisation adéquate, communiquez avec votre détaillant ou votre installateur. Vous avez la responsabilité de fournir les installations appropriées pour les raccordements électriques.
- Dans les établissements commerciaux, la main-d'œuvre nécessaire pour amener l'appareil à un endroit où il pourra être accessible aux fins de réparation par un technicien.
- Les défauts ou les dommages attribuables à la corrosion causée par une installation dans un milieu contenant des produits chimiques corrosifs.
- Le remplacement des fusibles ou le réenclenchement des disjoncteurs.
- Une défectuosité attribuable à une modification du produit, une utilisation déraisonnable ou un entretien inadéquat ou négligent.
- Les défauts ou les dommages attribuables à la corrosion en raison d'une installation dans un environnement côtier, sauf dans le cas des modèles ayant subi un traitement anticorrosion appliqué à l'usine tel qu'indiqué par le numéro de modèle.
- Les dommages au produit attribuables à une alimentation électrique inadéquate, un accident, un incendie, une inondation ou un cas de force majeure.
- Tout dommage direct ou indirect à la propriété causé par une éventuelle défectuosité de ce climatiseur.
- Les dommages survenus après la livraison.
- Le produit en cas d'impossibilité d'y avoir accès pour procéder à la réparation demandée.

EXCLUSION DE GARANTIES IMPLICITES - Votre seul et unique recours consiste dans la réparation du produit selon les dispositions de cette Garantie limitée. Toutes les garanties implicites, incluant les garanties de qualité marchande et de convenance, sont limitées à une année ou à la période la plus courte autorisée par la loi.

Cette garantie limitée est offerte à l'acheteur initial et à tout propriétaire subséquent d'un produit acheté en vue d'une utilisation aux États-Unis. Si le produit est installé dans une région non desservie par un réparateur autorisé Hotpoint Appliances, vous pourriez être tenu d'assumer des frais de déplacement ou d'apporter le produit à un centre de réparation autorisé Hotpoint Appliances. En Alaska, la garantie limitée ne couvre pas les frais d'expédition et les appels de service à votre domicile.

Dans certains États ou provinces, il est interdit d'exclure ou de limiter les dommages directs ou indirects. La présente garantie limitée vous confère des droits juridiques spécifiques. Vous pouvez bénéficier d'autres droits qui varient d'une province ou d'un État à l'autre. Pour connaître les droits dont vous bénéficiez dans votre région, communiquez avec des relations avec les consommateurs de votre région ou encore le Procureur général de votre État.

Garant: GE Appliances, a Haier company
Louisville, KY 40225

Agrafez votre facture ici. Pour bénéficier du service de réparation sous garantie, une preuve de la date d'achat initial est nécessaire.

Soutien au consommateur

Site Web de Hotpoint Appliances

Visitez hotpoint.com pour tous vos besoins relatifs à votre produit et à l'assistance après-vente.

Enregistrez votre électroménager

Enregistrez votre nouvel appareil en ligne au moment qui vous convient le mieux! L'enregistrement de votre produit dans les délais prescrits permet une meilleure communication et un service rapide, selon les modalités de votre garantie, si besoin est. Vous pouvez également envoyer par courrier la carte d'enregistrement pré-imprimée qui se trouve dans l'emballage de votre appareil.

Hotpoint.com/register

Service de réparation

Un service de réparation expert GE Appliances se trouve à quelques pas de chez vous. Rendez-vous sur notre site et programmez, à votre convenance, une visite de réparation à n'importe quel jour de l'année. Aux États-Unis : Hotpoint.com/service ou composez le 800.432.2737 durant les heures normales de bureau.

Pour le service ou les pièces au Canada, contactez votre distributeur.

Prolongation de garantie

Vous pouvez vous procurer une garantie prolongée Hotpoint Appliances en ligne sur Hotpoint.com/extended-warranty.com ou en composant le 800-626-2224.

Pièces et accessoires

Les personnes ayant les compétences requises pour réparer elles-mêmes leurs appareils peuvent recevoir directement à la maison des pièces ou accessoires (les cartes VISA, MasterCard et Discover sont acceptées). Commandez en ligne 24 heures par jour.

Aux États-Unis : GEApplianceparts.com ou par téléphone au 877.959.8688 durant les heures normales de bureau.

Les instructions contenues dans le présent manuel comportent des procédures que tout utilisateur peut effectuer. Les autres types de réparation doivent généralement être confiés à un technicien qualifié. Utilisez de prudence : une réparation ou un entretien mal effectués peuvent rendre l'utilisation de l'appareil dangereuse.

Communiquez avec nous

Si vous devez communiquer avec nous pour quelque raison que ce soit, veuillez visiter Hotpoint.com/contact ou appeler le 800.626.2005.

Vous pouvez aussi écrire à :

Aux États-Unis : General Manager, Customer Relations | GE Appliances, Appliance Park | Louisville, KY 40225
GEAppliances.com/ge/service-and-support/contact.htm

ACONDICIONADOR DE AIRE

de Paquete Terminal

INFORMACIÓN DE SEGURIDAD	3
USO DEL ACONDICIONADOR DE AIRE	
Controles	4
Funciones	5
Configuración del Interruptor DIP	6
Instalación del Termostato de Pared	7
CUIDADO Y LIMPIEZA	9
INSTALACIÓN	10
CONSEJOS PARA LA SOLUCIÓN DE PROBLEMAS	12
Sonidos Normales de Funcionamiento	13
GARANTIE LIMITÉE	15
SOPORTE AL CLIENTE	16

MANUAL DEL PROPIETARIO Y INSTRUCCIONES DE INSTALACIÓN

AH12E07D
AH12H07D
AH12E09D
AH12H09D/E
AH12E12D
AH12H12D/E
AH12E15D
AH12H15D

Escriba los números de modelo y de serie aquí:

Nº de Modelo _____

Nº de Serie _____

Encontrará estos números en una etiqueta en el frente de la bandeja de la base, detrás de la rejilla frontal.

INFORMACIÓN IMPORTANTE DE SEGURIDAD LEA TODAS LAS INSTRUCCIONES ANTES DE USAR

⚠️ ADVERTENCIA

Para su seguridad, se debe seguir la información de este manual para minimizar el riesgo de incendio o explosión, descargas eléctricas, o para evitar daños a la propiedad, lesiones personales o la muerte.

PRECAUCIONES DE SEGURIDAD

Riesgo de descarga eléctrica. Puede provocar lesiones o la muerte. Por su seguridad, se debe seguir la información en este manual para minimizar el riesgo de incendios, descargas eléctricas o lesiones personales.

- Use este electrodoméstico solamente para el propósito determinado según se describe en el Manual del propietario.
- Este acondicionador de aire debe instalarse correctamente de acuerdo con las Instrucciones de instalación antes de su uso.
- Nunca desenchufe su acondicionador de aire tirando del cable eléctrico. Siempre agarre firmemente el enchufe y tire de él directamente hacia afuera.
- Reemplace inmediatamente todos los cables eléctricos que se hayan pelado o que se hayan dañado de alguna otra manera. Un cable de corriente dañado no debe repararse, sino que debe ser sustituido por uno nuevo que se adquiera del fabricante. No use un cable eléctrico que muestre evidencias de deterioro, o daños de abrasión en su superficie en alguno de sus extremos.

- APAGUE y desenchufe su acondicionador de aire antes de realizar cualquier reparación o limpieza.

NOTA: Recomendamos enérgicamente que cualquier servicio llevado a cabo en este equipo o realice un individuo calificado.

- Por su seguridad...no almacene ni use materiales combustibles, gasolina u otros vapores o líquidos inflamables en la proximidad de éste o algún otro electrodoméstico.
- Todos los acondicionadores de aire contienen refrigerantes, los que por Ley Federal deben ser removidos antes de desecharlos. Si usted planea deshacerse de algún producto que contenga refrigerantes, póngase en contacto con la compañía que se encarga de recoger su basura para que le indiquen qué hacer.
- Este electrodoméstico no está diseñado para que lo usen personas (incluidos los niños) con capacidades físicas, sensoriales o mentales reducidas, o falta de experiencia y conocimiento, a menos que una persona responsable de su seguridad les haya supervisado o instruido sobre el uso del electrodoméstico.

CÓMO CONECTAR LA ELECTRICIDAD

⚠️ ADVERTENCIA

Riesgo de descarga eléctrica. Puede provocar lesiones o la muerte. Este aparato debe contar con una adecuada conexión a tierra. Bajo ninguna circunstancia, corte o remueva la tercera púa (tierra) del cable eléctrico. En pos de la seguridad personal, este electrodoméstico debe siempre conectarse a tierra.

- El cable eléctrico de este electrodoméstico está equipado con un enchufe de tres púas (tierra) que combina con un tomacorriente estándar de tres tomas de pared para minimizar la posibilidad de una descarga eléctrica.
- Pida a un técnico que inspeccione el tomacorriente y el circuito para cerciorarse de que el tomacorriente está conectado a tierra de la manera apropiada.
- El cable de alimentación puede incluir un dispositivo para interrupción de corriente. Se incluye un botón de prueba y de reinicio en el dispositivo. El dispositivo debe ponerse a prueba

periódicamente: primero se presiona el botón de TEST (prueba) y luego RESET (reinicio). Si el botón TEST no se dispara o si el botón RESET no queda enganchado, deje de utilizar el acondicionador de aire y comuníquese con un técnico calificado.

- Donde exista un tomacorriente de dos tomas, es su responsabilidad y obligación personal hacer que dicho tomacorriente sea reemplazado por uno de tres tomas con conexión a tierra.

⚠️ ADVERTENCIA

Riesgo de descarga eléctrica. Puede provocar lesiones o la muerte.

- El acondicionador de aire debería siempre estar conectado a un tomacorriente individual con su circuito de voltaje correspondiente. Esto proporciona el mayor rendimiento y además evita que los circuitos del resto de la casa se sobrecarguen, lo cual podría causar incendios por el sobrecalentamiento del cableado.
- Ver las Instrucciones de instalación, en la sección Requisitos Eléctricos para los requisitos específicos de conexión.

USO DE PROLONGADORES

⚠️ ADVERTENCIA

RIESGO DE INCENDIO. Podría ocasionar lesiones graves o la muerte.

- NO use un prolongador con este Acondicionador de Aire de Ventana.
- NO use un cable de extensión con este aire acondicionado de terminal empaquetado.

LEA Y GUARDE ESTAS INSTRUCCIONES

INFORMACIÓN IMPORTANTE DE SEGURIDAD

LEA TODAS LAS INSTRUCCIONES ANTES DE USAR

⚠ ADVERTENCIA

Riesgo de incendio o Explosión. Esta unidad contiene un refrigerante inflamable. Se deben seguir las precauciones adicionales de seguridad.

- No use medios para acelerar el proceso de descongelación o para realizar la limpieza que no sean aquellos recomendados por el fabricante.
- Este electrodoméstico se deberá guardar en una sala donde no haya fuentes de ignición en funcionamiento constante (por ejemplo: llamas abiertas, un electrodoméstico a gas en funcionamiento o un calefactor eléctrico en funcionamiento).
- No perforo ni queme el tubo refrigerante. Tenga presente que los refrigerantes no deben tener olor.
- Mantenga las aberturas de la ventilación libres de obstrucciones.
- Al mover, instalar y operar el electrodoméstico, se deberá tener cuidado para evitar dañar la tubería del refrigerante.
- No realice perforaciones en la unidad.
- El mantenimiento, la limpieza y el servicio técnico sólo deberán ser realizados por técnicos adecuadamente entrenados y calificados en el uso de refrigerantes inflamables.
- GEAppliances no brinda soporte sobre ningún servicio técnico de componentes del sistema sellado (es decir: piezas que contengan refrigerante) del acondicionador de aire.
- Descarte el electrodoméstico de acuerdo con las Regulaciones Federales y Locales. Los refrigerantes inflamables requieren procedimientos de descarte específicos. Comuníquese con las autoridades locales para descartar su acondicionador de aire de forma ambientalmente segura.

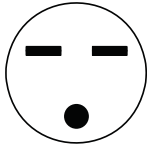
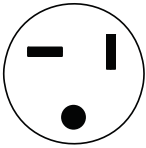


USO DE ENCHUFES ADAPTADORES

⚠ ADVERTENCIA

Riesgo de descarga eléctrica. Puede provocar lesiones o la muerte.

- Enérgicamente recomendamos contra el uso de enchufes adaptadores.
- Si usted se ve en la necesidad de usar un adaptador, donde los códigos legales locales lo permitan, puede hacer una conexión temporal a un interruptor de 2 tomas siempre que se use un tomacorriente listado baja UL disponible en la mayoría de las ferreterías.
- La ranura mayor en el adaptador debe estar alineada con la púa mayor en la pared para proporcionar una polaridad apropiada en la conexión del cable eléctrico.
- Cuando se disponga a desconectar el cable eléctrico del adaptador, siempre sostenga el adaptador en su lugar con una mano mientras tira del cable eléctrico con la otra mano. Si no hace esto, la terminal de tierra del adaptador podría romperse después de que este proceso se repita varias veces.
- Si se rompe el terminal de conexión a tierra del adaptador, NO USE el acondicionador de aire hasta que la conexión a tierra se haya restablecido.
- Unir el terminal de conexión a tierra del adaptador a un tornillo de la cubierta en la pared no conecta a tierra el electrodoméstico apropiadamente no ser que el tornillo de la cubierta sea metálico y no esté aislado, y el tomacorriente de la casa esté apropiadamente conectado a tierra a través del cableado de la casa. Haga que un técnico calificado inspeccione el circuito de la casa para cerciorarse que está conectado a tierra apropiadamente.

NOTA: La forma del enchufe podrá ser diferente, dependiendo del modelo.

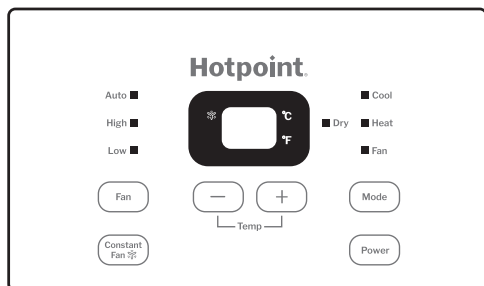
Receptáculo				
Calificación	208/230V 15A	208/230V 20A	208/230V 30A	265V 20A

Para acceder a información sobre el reciclaje de electrodomésticos, visite GEAppliances.com/recycling

LEA Y GUARDE ESTAS INSTRUCCIONES

Controles

Controles del Acondicionador de Aire



■ ENCENDIDO

- Presione el botón POWER (Encendido) para encender o apagar la unidad. Cuando la unidad se encuentre encendida, la luz indicadora de encendido será verde. Cuando la unidad se encuentre apagada, la luz desaparecerá.

■ MODO

- Presione este botón para cambiar de ciclo entre los modos COOL-HEAT-FAN-DRY (FRÍO-CALOR-VENTILADOR-FRÍO). La luz indicadora junto a la opción "MODE" (MODO) se iluminará, identificando el modo seleccionado.
- FRÍO: EL rango de temperatura configurada será de entre 62°F (16°C) y 86°F (30°C). La refrigeración comenzará automáticamente cuando la temperatura de la sala sea superior al punto de configuración, y se detendrá cuando la temperatura de la sala sea 4°F (-15°C) inferior al punto de configuración. Pero el compresor funcionará durante un mínimo de 3 minutos en el modo COOL (Frío) antes de detenerse. El ventilador fue configurado de fábrica para funcionar en el modo continuo cuando se esté refrigerando.
- CALOR: El rango de temperatura será de entre 62°F (16°C) y 84°F (28°C). En los modelos con bomba de calor, la unidad podrá alternar su funcionamiento entre el modo de calor con ciclo inverso y el modo de calefactor eléctrico, de acuerdo con la diferencia entre la temperatura configurada y la temperatura del ambiente. El motor del ventilador realiza ciclos de encendido y apagado con el compresor y el calefactor eléctrico.

El motor del ventilador interno se inicia antes que el compresor y se detiene una vez que el compresor detiene su ciclo.

NOTA: La calefacción con ciclo inverso y el calefactor eléctrico no funcionarán al mismo tiempo. En los siguientes casos, es normal que el compresor no funcione.

1. Cuando la temperatura externa sea inferior a 40°F (4°C) o la temperatura de la sala baje 8°F por debajo de la temperatura del punto de configuración.
2. A fin de evitar ciclos cortos, hay un tiempo mínimo de 3 minutos con el compresor en OFF (Apagado) entre ciclos.
3. Cuando se acumule escarcha en la bobina, el compresor interrumpirá el ciclo mientras el ventilador interior continúe funcionando para descongelar la bobina.

- **VENTILADOR:** Funcionamiento del ventilador solo, sin calefacción ni refrigeración

NOTA: Los rangos de temperatura configurada podrán ser modificados. Consulte las "CONFIGURACIONES DE LOS INTERRUPTORES DIP": en la página 6, para más detalles.

- DRY (Secar): Configura la unidad en el modo Cool (Frío) y reduce la velocidad del ventilador para ayudar en el proceso de deshumidificación.

■ BOTONES ARRIBA/ ABAJO (+ / -)

- Presione el botón UP (Arriba) o DOWN (Abajo) para incrementar o reducir la temperatura configurada de la unidad en el modo de refrigeración o calefacción. La temperatura podrá ser configurada por incrementos de 1°F. La temperatura configurada aparece en la pantalla.

NOTA: Mantener presionados los botones + y - juntos durante 3 segundos permitirá alternar la temperatura entre las escalas en °C y °F.

■ VENTILADOR (VELOCIDAD DEL VENTILADOR)

- Cada vez que presione este botón, la velocidad del ventilador realizará un ciclo a través de las configuraciones del siguiente modo: AUTO-HIGH-LOW (AUTO-ALTO-BAJO).

■ CONSTANT FAN (VENTILADOR CONSTANTE)

- Ofrece la opción de operar el ventilador interior continuamente o encenderlo / apagarlo con el compresor. Aparece un icono de ventilador cerca de la pantalla cuando el ventilador está en modo constante. Cuando está en modo ciclo, el ventilador funcionará durante varios segundos después de que el compresor se apague. Este interruptor no está activo en el modo Heat.

■ PANTALLAS

- Mientras se encuentre sólo en el modo Fan (Ventilador), mostrará la temperatura de la sala.

Control y Código de Error (en algunos modelos):

LC – No se cuenta con teclas de presión en el panel de control. La unidad sólo se podrá usar a través del termostato de pared.

FC – No se cuenta con teclas de presión en el panel de control ni con termostato de pared. La unidad sólo se podrá usar a través del CONTROL DE ESCRITORIO FRONTAL

Códigos de error:

- AS** – Error del sensor de temperatura de la sala;
- ES** – Error del sensor de temperatura del evaporador;
- CS** – Error del sensor de temperatura del condensador;
- OS** – Error del sensor de temperatura externa;
- HS** – Error del sensor de temperatura del escape;
- LE** – Error del controlador de cables;

NOTA: Cuando se produzca un error, desenchufe la unidad y vuelva a enchufarla. Si el error se repite, llame al servicio técnico.

Otros códigos :

- LO** – La temperatura de la sala es inferior a 32°F (0°C);

Funcionamiento con Refrigeración	Temperatura Exterior:	64-109°F
	Temperatura Interior:	62-90°F
Funcionamiento con Calefacción	Temperatura Exterior:	23-76°F
	Temperatura Interior:	32-80°F

- HI** – La temperatura de la sala es superior a 99°F (37°C);

- FP** – Protección por temperatura baja.

NOTA: Todas las ilustraciones de este manual son con propósitos explicativos únicamente. Es posible que su acondicionador de aire presente algunas diferencias. Prevalecerá la forma actual.

NOTA: El acondicionador de aire fue diseñado para su uso bajo las condiciones que figuran más arriba.

NOTA: El rendimiento se podrá ver reducido si se encuentra fuera de estas temperaturas de funcionamiento.

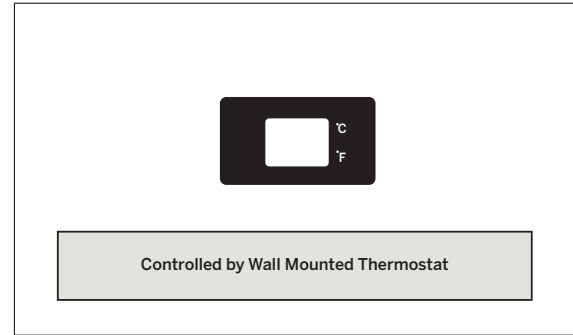
Controles

Accesorio del Termostato Remoto

NOTA: Cuando la unidad sea controlada por un termostato remoto de pared (consulte las páginas 6 y 7), la unidad exhibirá "LC". El accesorio opcional incluido con la unidad que indica que la unidad es "Controlada por el Termostato Montado en Pared" se podrá instalar en los controles para informar al huésped.

NOTA: Para algunas funciones, hay un retraso de 3 segundos luego de presionar un botón.

NOTA: Cuando haya diferencias con relación a la función de la unidad entre el Manual del Propietario y el Termostato Remoto, prevalecerá la descripción del Manual del Propietario.



Funciones

Esta unidad cuenta con muchas funciones. Quien realice el servicio técnico deberá estar familiarizado con estas funciones a fin de realizar el mismo sobre la unidad de forma correcta.

Retraso en el Reinicio del Compresor

Esta función extiende la vida general del compresor, evitando los ciclos cortos en el acondicionador de aire. La unidad fue diseñada para funcionar durante un mínimo de 3 minutos cuando el compresor se inicie. El compresor será entonces apagado durante un mínimo de 3 minutos para regular la presión del refrigerante antes de su reinicio.

Memoria

La unidad cuenta con una memoria. Si se produce un corte de corriente, todas las configuraciones del control (modo, velocidad del ventilador, encendido/ apagado y configuración) serán memorizadas. Una vez restablecida la corriente, luego de un corte de energía la unidad se iniciará en el modo (y configuración) en el cual se encontraba cuando el corte se produjo.

Protección Automática contra la Congelación del Evaporador

Un sensor de la bobina interior monitorea la temperatura de la bobina y apagará el compresor hasta que la bobina se caliente. El ventilador interior continuará funcionando.

Calentamiento Automático Rápido (para modelos con bomba de calor únicamente)

Si la temperatura de la sala desciende 8°F por debajo de la temperatura del punto de configuración, la calefacción con ciclo inverso será apagada y la calefacción de la banda eléctrica será encendida durante un ciclo, hasta que la temperatura del ambiente sea satisfactoria.

Indicadores LED y Botones

La unidad cuenta con luces LED correspondientes al modo, velocidad del ventilador, encendido y ajuste de funcionamiento para indicar el estado de la unidad. Las luces LED de HIGH (Alto), MED (Medio) y LOW (Bajo) indican la velocidad del ventilador que fue seleccionada. Las luces LED de FAN (Ventilador), COOL (Frío) y HEAT (Calor) indican qué modo de funcionamiento se encuentra activo. La luz LED de POWER (Encendido) es el LED que indica el estado de ON/OFF (Encendido/ Apagado) de la unidad. Si la unidad se encuentra en el modo ON (Encendido), la luz LED será verde. Si la unidad se encuentra en OFF (Apagado), la luz LED estará apagada.

Protección de Temperatura Alta en el Funcionamiento de la Calefacción

El compresor y(o) el calefactor eléctrico serán apagados para evitar daños en altas temperaturas de aire en áreas interiores o cuando el sensor de temperatura interior presente defectos.

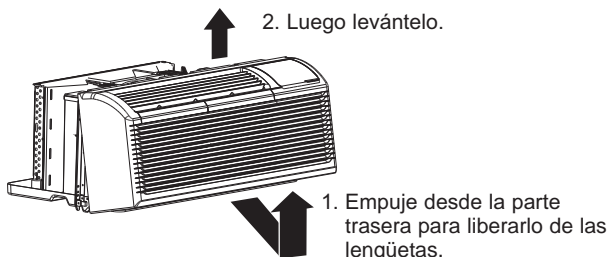
Configuración de la Unidad - °F o °C

La unidad se podrá programar en °F o °C. Vaya a la página 6.

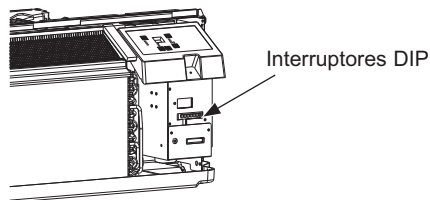
Configuración del Interruptor DIP

RETIRO DEL PANEL FRONTAL

Los controles de los interruptores DIP se encuentran ubicados detrás del panel frontal, a través de una abertura debajo del panel de control. Para acceder, retire el panel frontal.



Los interruptores DIP se encuentran accesibles sin abrir la caja de control..



La unidad se deberá apagar a fin de modificar las configuraciones del interruptor DIP.

CONFIGURACIONES DE LOS INTERRUPTORES DIP

Consulte la tabla y la figura más abajo para conocer las configuraciones de los Interruptores DIP y las funciones de cada posición de los interruptores DIP.

(Se muestran las posiciones de interruptor por omisión de fábrica (parte sombreada)).

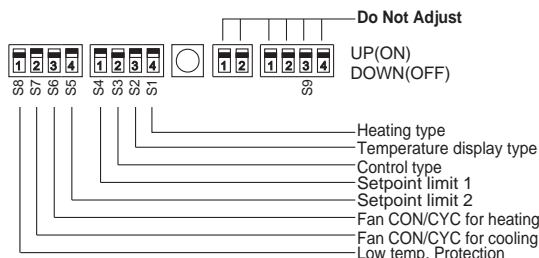


TABLA DE CONFIGURACIÓN Y DE LOS INTERRUPTORES DIP

Nº.	ARRIBA (ENCENDIDO)	ABAJO (APAGADO)	Comentarios
S1	Calor Eléctrico Únicamente	Calefacción Eléctrica y Bomba de Calor	Para la unidad con bomba de calor únicamente.
S2	Pantalla de Temperatura en °F	Pantalla de Temperatura en °C	
S3	Termostato de Pared Activado	Ciclo del Ventilador para Calefaccionar	
S4*S5	S4▲ S5▲ 61°F - 86°F * S4▲ S5▼ 65°F - 78°F S4▼ S5▲ 63°F - 80°F S4▼ S5▼ 68°F - 75°F		Dos configuraciones (S4*S5) se combinan para seleccionar el punto de configuración del termostato de la unidad.
S6	Funcionamiento Continuo del Ventilador para Calefaccionar	Ciclo del Ventilador para Calefaccionar	
S7	Funcionamiento Continuo del Ventilador para Refrigerar	Ciclo del Ventilador para Refrigerar	
S8	Protección de temperatura baja activada	Protección de temperatura baja desactivada	Opcional

* **NOTA:** La configuración máxima de temperatura es 86°F en refrigeración y 84°F en calefacción.

Termostato de Pared Activado

Se podrá conectar un termostato de pared a la unidad. Si ya lo está, el interruptor DIP S3 se deberá pasar a la Posición Activada para Termostato de Pared (ARRIBA), antes de poder controlar la unidad. Para un correcto uso del termostato de pared, asegúrese de que el interruptor DIP S9 esté en la posición hacia abajo.

Protección por temperatura baja (opcional)

Si la unidad siente que la temperatura de la sala es inferior a 32°F (0°C), el motor del ventilador y la calefacción de la banda eléctrica se activarán y calentarán la sala hasta 40°F (4°C). El ventilador y el calefactor se apagarán durante un período de tiempo corto una vez alcanzada la temperatura satisfactoria.

Calor Eléctrico Únicamente (para la unidad de la bomba de calor únicamente)

Esta configuración típicamente es usada para Calefaccionar en una Situación de Emergencia.

Interruptores DIP CON/CYC del Ventilador de Calor y Frío

Le permite al ventilador funcionar en modos continuos o por ciclos, mientras la unidad se encuentra en el modo de calefacción o refrigeración.

CON (Continuo)

Le permite al ventilador funcionar de forma continua, haciendo circular aire cuando la configuración de temperatura sea satisfactoria. Este interruptor ayuda a mantener la temperatura de la sala más cerca a aquella de la configuración del termostato.

CYC (Ciclo)

Esta configuración le permite al ventilador realizar ciclos de encendido y apagado con el compresor o el calefactor eléctrico. El ventilador se detiene durante un período de tiempo corto, una vez que la configuración de temperatura es satisfactoria.

Límites del Punto de Configuración de Temperatura

Brinda un rango restringido del control de temperatura.

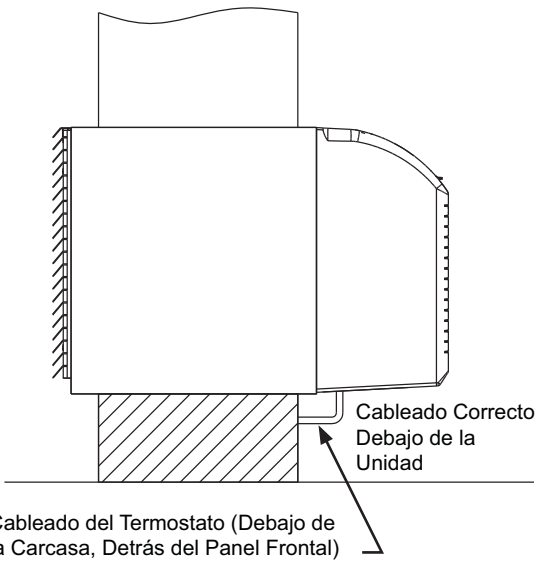
Instalación del Termostato de Pared (Opcional)

IMPORTANTE

Sólo personal entrenado y calificado deberá acceder al panel eléctrico de la unidad e instalar accesorios eléctricos. Por favor, comuníquese con su contratista eléctrico local, vendedor minorista o distribuidor para solicitar asistencia.

Recorrido del Cableado del Termostato

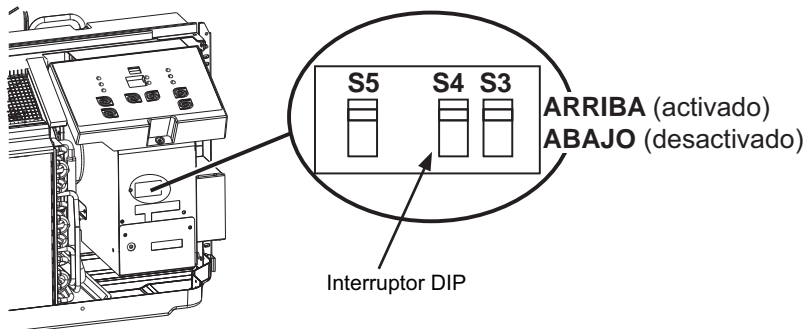
El cable del termostato es suministrado aparte. Se recomienda el uso de un cable para termostato sólido de un calibre de 18 a 20. **NOTA:** Se recomienda pasar cables adicionales a la unidad en caso de que alguno sea dañado durante la instalación. El cable del termostato siempre deberá ser pasado alrededor o por debajo, y NUNCA a través, de la carcasa de la pared. El cable deberá entonces ser pasado por detrás del panel frontal hasta el conector terminal de fácil acceso.



NOTA: Consulte las instrucciones de instalación del termostato para acceder a más detalles sobre la instalación del termostato de pared.

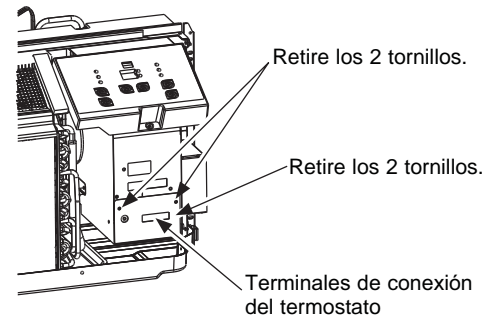
Termostato de Pared Activado

- Apague la unidad.
- La unidad se deberá apagar a fin de modificar las configuraciones del interruptor DIP.
- Coloque los interruptores DIP S3, S4 y S5 en la posición ARRIBA (ENCENDIDO) como se muestra a continuación. Consulte en la página 6 sobre ubicaciones y funciones del interruptor DIP.

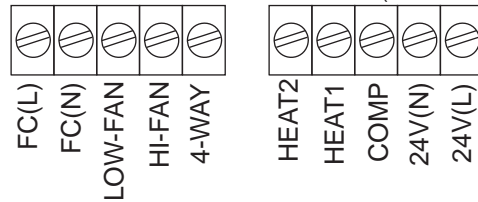


Instrucciones de Instalación del Termostato del PTCA (Acondicionador de Aire de Paquete Terminal)

Retire los dos tornillos como se muestra a continuación y retire la tapa.



Terminal of PTAC Wall Thermostat (MODE A)



- Inserte los cables del termostato de pared en las terminales correctas, de acuerdo con las instrucciones del fabricante.

Terminal	Designación
FC(L)	Terminal de control del escritorio frontal L
FC(N)	Terminal de control del escritorio frontal N
LOW-FAN	Velocidad baja del ventilador (GL)
HI-FAN	Velocidad alta del ventilador (GH)
4-WAY	Válvula de 4 vías; ciclo Inverso (Alimentado con Calor) para los modelos con bomba de calor (B)
HEAT2	No Usado
HEAT1	Calefactor eléctrico 1 (W)
COMP	Compresor (Y)
24V(N)	Terminal de 24VAC N (Neutral), C (Común)
24V(L)	Terminal de 24VAC L (HOT) (R)

Instalación del Termostato de Pared (cont)

⚠ PRECAUCIÓN

RIESGO DE DAÑOS SOBRE LA UNIDAD

Si no se cumple con estas precauciones, se podrán producir daños sobre el equipamiento o un funcionamiento inadecuado. Un cableado incorrecto podrá dañar la sección electrónica de la unidad. No se permite el cableado hogareño normal. Se podrán producir daños o un funcionamiento errático.

NOTA:

- Use la terminal de “4 VÍAS” para la conexión de la bomba de calor tipo B únicamente.
- Configure el tiempo de protección del compresor durante más de 3 minutos en el termostato de pared. Si se configura en menos de 3 minutos, el compresor tendrá un retraso adicional de 3 minutos.
- El termostato de pared deberá estar configurado de forma correcta con el tipo de unidad: con bomba de calor o sin bomba de calor.
- Para las unidades con bombas de calor, el termostato de pared deberá ser de tipo B con intercambiador de calor y de tipo valvular de 4 vías.
- Para aquellos termostatos con una sola velocidad de ventilación (permanente o automática), la velocidad del ventilador será determinada por cómo sea el cableado al conector de la terminal. Si se desea que esté en Low Fan (Ventilador Bajo), extienda un cable desde la salida G del termostato hasta (BAJO-VENTILADOR) del bloque terminal de la unidad. Si se desea que esté en High Fan (Ventilador Alto), extienda un cable desde la salida G del termostato hasta (ALTO-VENTILADOR) del bloque terminal de la unidad.
- El rango de temperatura configurada del termostato de pared deberá ser consecuente con el rango de configuración del interruptor DIP.
- Por favor, no retire el panel de control.

CONTROL DEL ESCRITORIO FRONTAL

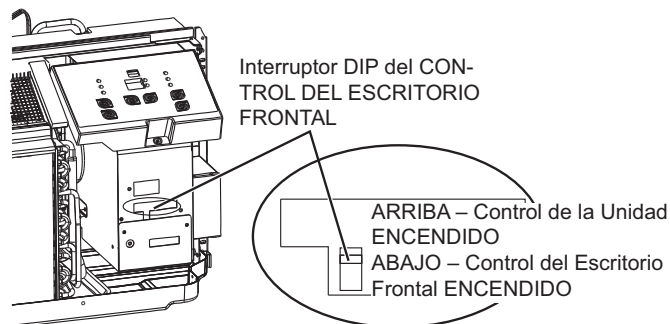
La unidad fue diseñada para funcionar con un Control de Escritorio Frontal con señal de intercambio. El sistema fue diseñado de modo que el interruptor del control del escritorio frontal para una habitación específica esté conectado de forma independiente a las terminales de tornillos FC(L) y FC(N) (mostrados en la página 7) de una unidad simple. Los interruptores y el cableado del control del escritorio frontal son brindados por otros proveedores.

El sistema de interruptor del Escritorio Frontal requiere una señal de 24VAC para funcionar. Haga pasar las terminales R y C hasta el interruptor del escritorio central y luego regrese a las terminales FC(L) y FC(N).

Para Activar el Control del Escritorio Frontal, apague la corriente de la unidad y haga pasar el interruptor DIP a la posición de apagado.

Si el interruptor del escritorio frontal está abierto, la unidad dejará de funcionar.

Cuando el escritorio frontal cierre su interruptor, la señal de 24VAC desde la unidad completará el circuito y le indicará a la unidad que se encienda y siga los comandos del termostato de la unidad/ remoto.



La unidad es enviada de fábrica con el interruptor DIP del Control del Escritorio Frontal en la posición UP (Arriba).

La unidad se deberá apagar a fin de modificar las configuraciones del interruptor DIP

Cuidado y Limpieza

Panel Frontal y Caja

- Apague la unidad y desconecte el suministro de corriente. Para limpiar, use agua y un detergente suave. NO use blanqueadores ni abrasivos. Algunos limpiadores comerciales podrán dañar las partes plásticas.

Bobina Exterior

- La bobina de la parte externa de la unidad deberá ser controlada de forma regular. La unidad deberá ser retirada de la carcasa de pared a fin de inspeccionar la acumulación de suciedad que se producirá dentro de la bobina. Si se encuentra atascada con suciedad y escombros, la bobina deberá ser limpiada por un profesional. Limpie la parte interior y exterior de las bobinas exteriores de forma regular. **NOTA:** Nunca use rociadores de alta presión sobre la bobina. No use limpiadores a base de ácidos.

⚠ PRECAUCIÓN

RIESGO DE DAÑOS SOBRE LA UNIDAD

Si no se cumple con estas precauciones, se podrán producir daños sobre el equipamiento o un funcionamiento inadecuado.

La restricción de flujo de aire podrá ocasionar daños sobre la unidad

Filtros de Aire

IMPORTANTE: APAGUE LA UNIDAD ANTES DE SU LIMPIEZA.

⚠ PRECAUCIÓN

RIESGO DE DAÑOS SOBRE LA UNIDAD

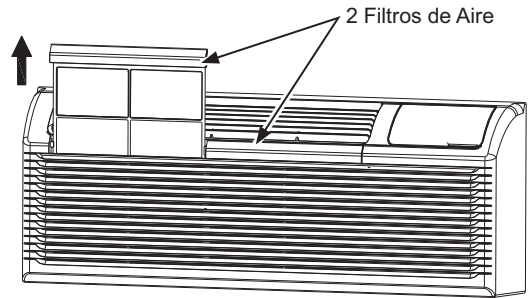
Si no se cumple con estas precauciones, se podrán producir daños sobre el equipamiento o un funcionamiento inadecuado

- No utilice la unidad si los filtros no se encuentran en su posición. Si un filtro se desgasta o daña, deberá ser reemplazado de inmediato.
- El uso sin los filtros en sus respectivas posiciones o con un filtro dañado permitirá que la suciedad y el polvo lleguen a la bobina interna y reduzcan el rendimiento de la refrigeración, calefacción, el flujo de aire y la eficiencia de la unidad. La restricción de flujo de aire podrá ocasionar daños sobre la unidad.

- Lo más importante que usted puede hacer para mantener la eficiencia de la unidad es limpiar los filtros una vez cada dos semanas o cuando sea necesario. Los filtros atascados reducen la refrigeración, la calefacción y el flujo de aire.
- **Mantener los filtros limpios permitirá:**
Reducir el costo de funcionamiento.
Ahorrar energía.
Evitar el atascamiento de una bobina interior.
Reducir el riesgo de fallas prematuras de los componentes.
- **Para Limpiar los Filtros de Aire:**
Aspire la suciedad en gran cantidad.
Deje correr agua a través del filtro desde la parte trasera.
Seque totalmente antes de hacer su reemplazo.

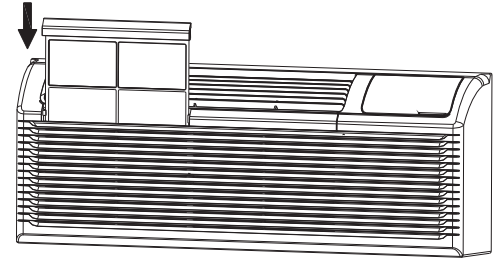
■ Retiro del Filtro de Aire

Levantar ↑



■ Reemplazo del Filtro de Aire

Empuje hacia abajo ↓



FILTRO DE MALLA DE LA PUERTA DE VENTILACIÓN (requerido sólo en caso de uso)

IMPORTANTE: APAGUE LA UNIDAD ANTES DE SU LIMPIEZA.

- Si la puerta de ventilación está abierta, su acceso requiere el retiro de la unidad desde la carcasa de pared. Limpie el filtro de ventilación dos veces por año o según sea necesario.

- Asegúrese de retirar el tornillo de embalaje de la puerta de ventilación.

- Gire la palanca de control de ventilación para abrir la puerta de ventilación.

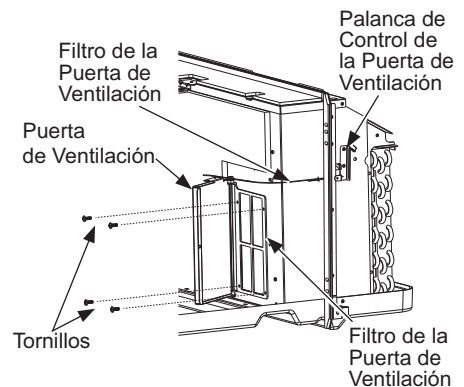
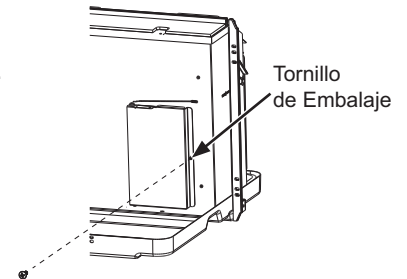
- Retire los cuatro tornillos del filtro de la puerta de ventilación.

- Primero retire el cable de acero de la puerta de ventilación del agujero de la puerta de ventilación, y luego retire la puerta de ventilación y el filtro.

- Limpie el filtro. Seque totalmente antes de hacer su reemplazo.

- Reemplace la puerta de ventilación y el filtro, y vuelva a instalar los cuatro tornillos.

- Vuelva a insertar el cable de acero de la puerta de ventilación en el agujero de la puerta de ventilación.



Instalación

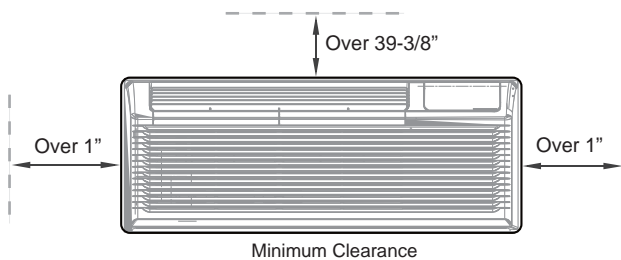
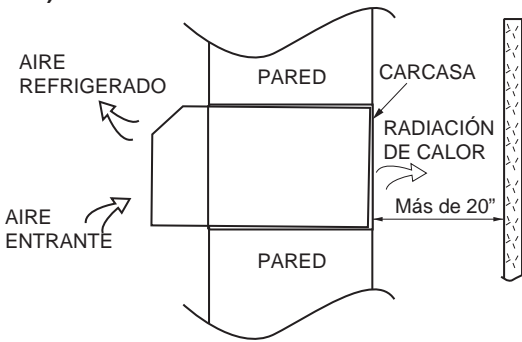
Preparación de la Instalación

⚠ PRECAUCIÓN

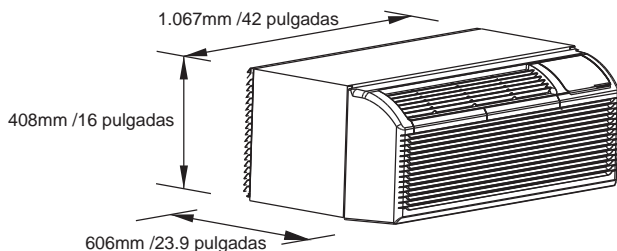
Hay dos extremos puntiagudos que pueden ocasionar cortes graves.
Al levantar el acondicionador de aire, cuente con 2 personas para esto.

- En la carcasa existente, deberá medir las dimensiones de la carcasa de pared.
- Instale el nuevo acondicionador de aire, de acuerdo con estas instrucciones de instalación, para lograr el mejor rendimiento. Todas las carcasas de pared usadas para montar el nuevo acondicionador de aire deberán estar en buenas condiciones estructurales y contar con una rejilla trasera que se adhiera de forma segura a la carcasa o a la brida de la carcasa, a fin de asegurar el nuevo acondicionador de aire.
- A fin de evitar vibración y ruido, asegúrese de que la unidad se encuentre instalada de forma segura y firme.
- Al instalar la carcasa, cerciórese de que no haya nada dentro de las 20" de la parte trasera que interfiera con la radiación de calor y el flujo de aire del escape.

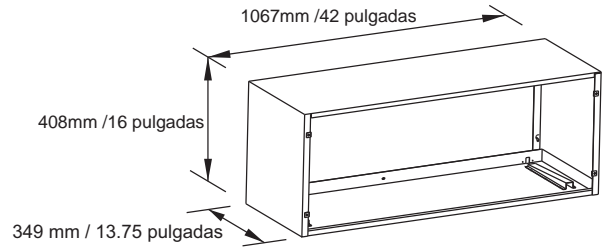
PREPARACIÓN DEL ENSAMBLE DE LA CARCASA (opcional)



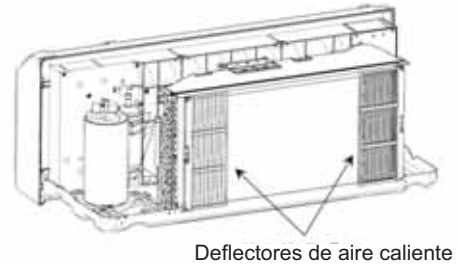
Dimensiones del acondicionador de aire



Dimensiones del Ensamble de la Carcasa (opcional)



- Para más detalles, consulte las instrucciones de instalación del ensamble de la carcasa.
- Nota:** Las Unidades de 265V requieren una sub-base (vendida por separado) para su instalación en la carcasa de pared. A fin de montar la sub-base en la carcasa de pared, esta última se deberá extender un mínimo de 2 3/8" en la sala.
- ### PREPARACIÓN DEL ENSAMBLE DE LA REJILLA TRASERA (opcional)



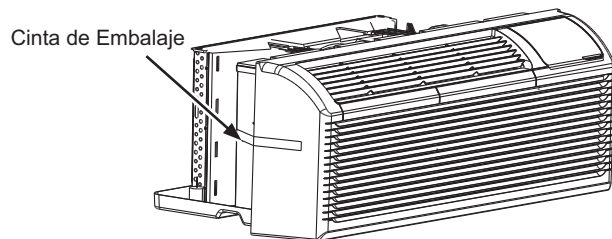
- Para más detalles, consulte las instrucciones de instalación del ensamble de la rejilla trasera. La parrilla exterior (trasera) se deberá instalar antes que el chasis.
- Nota:** la unidad cuenta con deflectores de aire adheridos a la bobina exterior de la unidad. Si la rejilla exterior cuenta con deflectores de aire caliente incorporados o adheridos, retire los mismos de la unidad antes de realizar la instalación.

Instalación

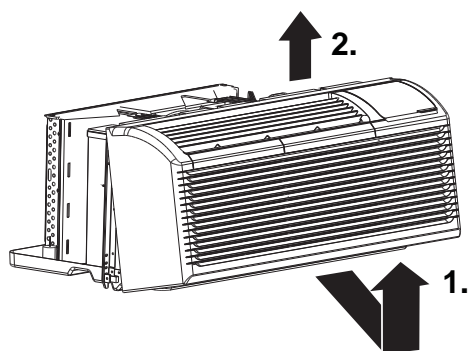
Preparación de la Instalación

Instalación de la Unidad

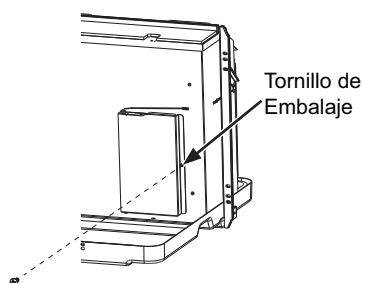
- Con cuidado, retire toda la cinta de embalaje del panel frontal.



- Retire el panel frontal.



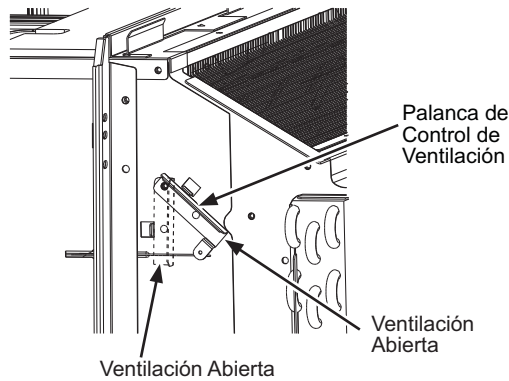
- Los PTAC (Acondicionadores de Aire de Paquete Terminal) Hotpoint cuentan con una ventilación que se podrá abrir para introducir el aire exterior en la habitación. Para abrir la ventilación, retire el tornillo de embalaje y ajuste la ventilación según lo desee, antes de deslizar la unidad en la carcasa de pared.



Instalación

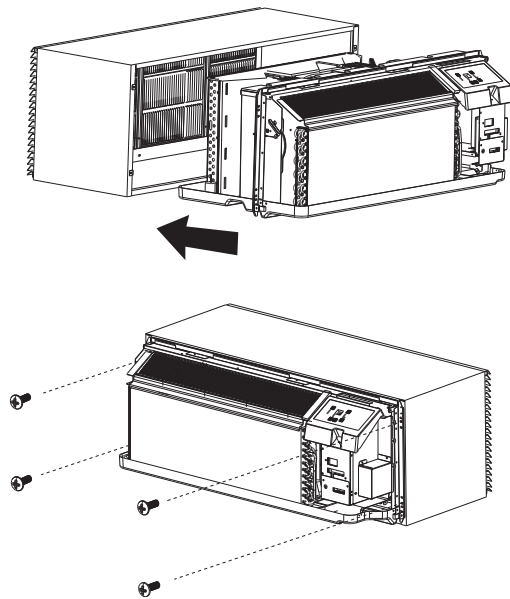
Instalación de la Unidad (Continúa)

- Gire la palanca de control de ventilación para abrir o cerrar la puerta de ventilación.



NOTA: Cuando la palanca del control de ventilación se encuentre en la posición CLOSE (Cerrada), sólo el aire interno de la sala circula y es filtrado. Cuando esté en OPEN (Abierta), cierta cantidad de aire exterior será ingresado en la sala. Esto reducirá la eficiencia en la calefacción y refrigeración.

- Levante el nivel de la unidad y deslice la misma dentro de la carcasa de pared hasta que quede apoyada de manera firme contra el frente de la carcasa de pared y asegurada con 4 tornillos y arandelas (suministradas en el ENSAMBLE DE LA CARCASA) a través de los agujeros de la brida de la unidad. Si necesita tornillos, compre tornillos hexagonales con cabeza Phillips nº 10x1½" en su tienda local de herramientas.



⚠ PRECAUCIÓN

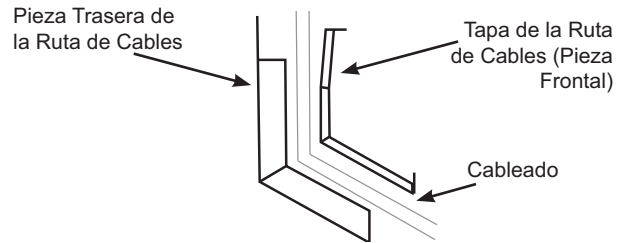
No coloque obstáculos alrededor de la entrada de aire ni dentro de la salida de aire de la unidad, tales como cortinas para ventanas, etc.

Siempre inserte el filtro de forma segura. Limpie el filtro una vez cada 2 semanas, según sea requerido.

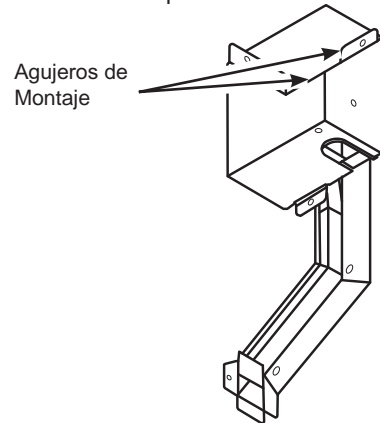
Para los Modelos de 265V únicamente:

NOTA: Una sub-base (adquirida de forma separada) y una ruta de cables (incluida con este producto) son requeridas para la instalación de los modelos de 265V. Si esto no se realiza, no se estará en cumplimiento con NEC. Consulte las instrucciones de instalación de la sub-base.

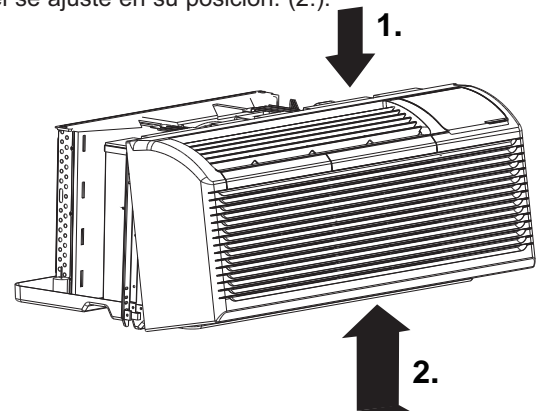
- El cableado es colocado entre las dos mitades de la ruta del cable. Observe la orientación de la ruta del cableado.



- Con el cable de corriente dentro, alinee los agujeros de los tornillos superior e inferior de la piezas de la ruta de cables. Asegure una mitad a la otra usando los tornillos tipo A incluidos con la ruta de cables.
- Retire la caja de empalmes de la unidad y alinee los agujeros ranurados de la ruta de cables con los agujeros sobre el frente y la parte inferior de la caja de empalmes. Asegure la ruta de cables con los tornillos provistos.



- Consulte las instrucciones de instalación de la sub-base para su instalación y para saber cómo adherir la ruta de cables a la sub-base. Una vez adherida la ruta de cables a la sub-base, gire el ensamble de la ruta de cables/ caja de empalmes hacia arriba y adhiera el mismo al chasis con los tornillos retirados previamente.
- Reinstale el panel frontal. Coloque las lengüetas sobre el riel superior (1.). Empuje hacia adentro en la parte inferior hasta que el panel se ajuste en su posición. (2.)



Consejos para la Solución de Problemas... Antes de solicitar el servicio técnico

¡Ahorre tiempo y dinero! Primero revise los cuadros que aparecen en las siguientes páginas y es posible que no necesite solicitar reparaciones.

Ventilación Abierta	Soluciones
<p>LA UNIDAD NO SE INICIA</p> <p>Es posible que la unidad haya sido desenchufada</p> <p>Es posible que se haya quemado el fusible</p> <p>Es posible que el disyuntor se haya desconectado</p> <p>Es posible que la unidad esté apagada</p> <p>Es posible que la unidad se encuentre en el modo de protección</p>	<p>Controle que el enchufe esté conectado de forma segura en el receptáculo de la pared.</p> <p>NOTA: Los cables de 230/208 voltios cuentan con un botón de prueba/ reinicio. Asegúrese de que el enchufe no se haya desconectado.</p> <p>Reemplace el fusible. Lea la Nota 1.</p> <p>Reinicie el disyuntor. Lea la Nota 1.</p> <p>Encienda la unidad (botón inferior derecho del teclado).</p>
<p>LA UNIDAD NO ENFRÍA/ CALIENTA LA SALA</p> <p>La sección de descarga de aire de la unidad se encuentra bloqueada</p> <p>La configuración de temperatura no es lo suficientemente baja o alta. NOTA: Es posible que los límites de configuración no le permitan a la unidad calentar o refrigerar la sala en la temperatura deseada. Controle la sección de configuraciones del interruptor DIP.</p> <p>Los filtros de aire de la unidad se encuentran sucios.</p> <p>La sala se encuentra excesivamente caliente o fría cuando la unidad es encendida.</p> <p>Se dejó la puerta abierta del ventilador.</p> <p>Es posible que la unidad se encuentre en un modo de protección.</p> <p>El compresor se encuentra en con tiempo de retraso.</p>	<p>Asegúrese de que las cortinas, persianas o muebles no estén restringiendo ni bloqueando el flujo de aire de la unidad.</p> <p>Reinicie la unidad en una configuración de temperatura inferior o superior.</p> <p>Retire y limpie los filtros.</p> <p>Espere el tiempo suficiente hasta que la unidad caliente o enfríe la sala. Comience a calentar o a refrigerar temprano antes de que la temperatura exterior, el calor de la cocina o las reuniones con gente generen falta de confort en la sala.</p> <p>Cierre la puerta de ventilación.</p> <p>Controle el interruptor DIP y las configuraciones del termostato de pared para lograr el confort deseado.</p> <p>Espere aproximadamente 3 minutos hasta que el compresor se inicie.</p>
<p>LA PANTALLA MUESTRA NÚMEROS/ CARACTERES EXTRAÑOS</p>	<p>Es posible que la unidad se encuentre en un modo de protección.</p> <p>La unidad podrá ser configurada en OC (en lugar de OF).</p>
<p>LA UNIDAD HACE RUIDOS</p>	<p>Los sonidos de clic, gorgoros y zumbidos son normales durante el funcionamiento de la unidad.</p>
<p>GOTEA AGUA EN LA PARTE EXTERIOR</p>	<p>Si un kit de drenaje no fue instalado, la condensación del goteo durante un clima muy caluroso y húmedo es normal. Consulte la Nota 2. Si un kit de drenaje fue instalado y es conectado a un sistema de drenaje, controle las juntas y accesorios alrededor del drenaje para asegurarse de que no haya goteos ni enchufes cerca.</p>
<p>GOTEA AGUA EN LA PARTE INTERIOR</p> <p>La carcasa de pared no se encuentra instalada a nivel</p>	<p>La carcasa de pared deberá ser instalada a nivel para un correcto drenaje de la condensación. Controle que la instalación esté nivelada y realice cualquier ajuste necesario.</p>
<p>SE FORMA HIELO O ESCARCHA EN LA BOBINA INTERIOR</p> <p>Temperatura exterior baja</p> <p>Filtros sucios</p>	<p>Cuando la temperatura exterior sea de aproximadamente 55°F (12°C) o inferior, se podrá formar escarcha en la bobina interior cuando la unidad se encuentre en el modo Cooling (Refrigeración). Cambie el funcionamiento de la unidad a FAN (Ventilador) hasta que el hielo o la escarcha se derritan.</p> <p>Retire los filtros limpios.</p>
<p>PROTECCIÓN DEL COMPRESOR</p> <p>Es posible que el encendido haya funcionado en ciclos, de modo que el compresor se encuentra en una protección de reinicio.</p>	<p>Reinicio del compresor al azar - En cualquier momento en el que la unidad se encuentre enchufada, o que la corriente haya sido reiniciada, se producirá un reinicio del compresor al azar. Luego de un corte de corriente, el compresor se reiniciará después de aproximadamente 3 minutos.</p> <p>Protección del Compresor – A fin de evitar ciclos cortos del compresor, se produce un retraso del inicio al azar de 3 minutos y un tiempo de funcionamiento mínimo del compresor de 3 minutos.</p>
<p>FALLA DE LA CALEFACCIÓN ELÉCTRICA</p>	<p>Solicítele a un profesional la limpieza del evaporador una vez cada tres meses.</p>

NOTAS:

1. Si el disyuntor es desconectado o el fusible se quema más de una vez, comuníquese con un electricista calificado.
2. Si la unidad es instalada en una ubicación donde no se desea que el drenaje de la condensación genere goteos, un kit de accesorios de drenaje deberán ser instalados y conectados al sistema de drenaje.

Antes de Solicitar el Servicio Técnico...

Sonidos de Funcionamiento Normal

- Es posible que escuche un sonido metálico ocasionado por el agua recogida y arrojada contra el condensador en días lluviosos o cuando el nivel de humedad sea alto. Esta función ayuda a eliminar la humedad y mejorar el nivel de eficiencia.
- Es posible que escuche que el termostato hace un sonido de clic cuando los ciclos del compresor se activan y desactivan.
- Se acumulará agua en la bandeja de la base cuando el nivel de humedad sea alto o en días lluviosos. Es posible que el agua se desborde y gotee desde el lado exterior de la unidad.
- Es posible que el ventilador continúe funcionando incluso cuando el compresor no lo haga.

Garantía Limitada del PTAC (Acondicionador de Aire de Paquete Terminal) de Hotpoint

GARANTIE LIMITÉE

Hotpoint.com

Hotpoint es respaldado por el Servicio de GE Appliances. Todo el servicio de garantía es provisto por nuestros Centros de Servicio de Fábrica, o por un técnico autorizado de Customer Care® (Servicio al Cliente). Usted puede programar el servicio técnico a través de Internet en Hotpoint.com/service o llamando al Servicio de GE Appliances al 800.GE.CARES (800.432.2737). Por favor, tenga su número de modelo a mano al llamar.

Por el Período de:	Hotpoint Appliances Reemplazará:
Un Año Desde la fecha de compra original	Cualquier parte del acondicionador de aire que falle debido a un defecto en los materiales o la fabricación. Durante esta garantía limitada de un año , Hotpoint Appliances proveerá, sin costo , todo el trabajo y los costos del servicio relacionados con el reemplazo de la pieza que presente defectos.
Cinco Años Desde la fecha de compra original	El Sistema de Refrigeración Sellado , si cualquier pieza del sistema de refrigeración sellado (el compresor, condensador, evaporador y todas las cañerías de conexión, incluyendo el sistema de aire de reposición) falla debido a un defecto en los materiales o la fabricación. Durante esta garantía limitada de cinco años , Hotpoint Appliances proveerá, sin costo , todo el trabajo y los costos del servicio relacionados con el reemplazo de la pieza que presente defectos.
El Segundo al Quinto Años Desde la fecha de compra original	Motores de Ventiladores, Interruptores, Termostato, Calentador, Protectores del Calentador, Sobrecarga del Compresor, Solenoides, Tableros de Circuitos, Controles Auxiliares, Termistores, Centinela de Refrigeración, Controles de Congelamiento, Bomba ICR, Capacitores, Varistores, Cojinetes del Ventilador Interno , si cualquiera de estas piezas falla debido a un defecto en los materiales o la fabricación. Durante esta garantía limitada adicional de cuatro años , el cliente será responsable por cualquier trabajo o costos relacionados con el servicio técnico.

Qué No Cubrirá Hotpoint:

- Viajes del técnico del servicio a su hogar para enseñarle sobre el uso del producto.
- Instalación, entrega o mantenimiento inadecuados.
Si tiene un problema de instalación o el aire acondicionado no posee la capacidad de refrigeración adecuada con relación al uso deseado, contacte a su vendedor minorista o instalador. Usted es responsable de brindar instalaciones de conexión eléctrica adecuadas.
- En ubicaciones comerciales, el trabajo necesario para trasladar la unidad a una ubicación donde esté accesible para que un técnico pueda brindarle el servicio.
- Fallas o daños que resulten de la corrosión debido a la instalación en un ambiente donde haya químicos corrosivos.
- Reemplazo de fusibles o reinicio de disyuntores.
- Falla del producto como resultado de modificaciones en el mismo o debido a un uso irrazonable, incluyendo la falta de mantenimiento razonable o necesario.
- Fallas o daños como resultado de la corrosión, debido a instalaciones en ambientes costeros, excepto los modelos tratados con protección anticorrosiva con aplicación especial de fábrica, de acuerdo con lo designado en el número de modelo.
- Daños sobre el producto ocasionados por un nivel de suministro de voltaje inadecuado, accidente, incendio, inundaciones o catástrofes naturales.
- Daños consecuentes o incidentales sobre la propiedad personal causados por posibles defectos del acondicionador de aire.
- Daño causado luego de la entrega.
- Producto no accesible para brindar el servicio requerido.

EXCLUSIÓN DE GARANTÍAS IMPLÍCITAS—Su única y exclusiva alternativa es la reparación del producto, como se indica en la Garantía Limitada. Las garantías implícitas, incluyendo garantías implícitas de comerciabilidad o conveniencia sobre un propósito particular, se limitan a un año o al período más corto permitido por la ley.

Esta garantía limitada se extiende al comprador original y a cualquier dueño subsiguiente de productos comprados para uso hogareño dentro de EE.UU y Canadá. Si el producto está ubicado en un área donde no se encuentra disponible un Proveedor Autorizado del Servicio Técnico de Hotpoint Appliances, usted será responsable por el costo de un viaje o se podrá requerir que traiga el producto a una ubicación del Servicio Técnico de Hotpoint Appliances Autorizado para recibir el servicio. En Alaska, la garantía limitada excluye el costo de envío o llamadas del servicio a su hogar.

Algunos estados o provincias no permiten la exclusión o limitación de daños fortuitos o consecuentes. Esta garantía limitada le da derechos legales específicos, y es posible que tenga otros derechos legales que varían entre un estado y otro, o entre una provincia y otra. Para conocer cuáles son sus derechos legales, consulte a la oficina de asuntos del consumidor local, estatal o provincial o al Fiscal de su estado.

**Garante : GE Appliances, a Haier company
Louisville, KY 40225**

Staple your receipt here. Proof of the original purchase date is needed to obtain service under the warranty.

Soporte al Cliente

Hotpoint Appliances Sitio Web

Visite hotpoint.com para todas sus necesidades sobre productos y soporte.

Registre su Electrodoméstico

¡Registre su electrodoméstico nuevo a través de Internet, según su conveniencia! Un registro puntual de su producto permitirá una mejor comunicación y un servicio más puntual de acuerdo con los términos de su garantía, en caso de surgir la necesidad. También puede enviar una carta en la tarjeta de inscripción pre-impresa que se incluye con el material embalado.

Hotpoint.com/register

Servicio Programado

El servicio de reparación de expertos de GE Appliances está a sólo un paso de su puerta. ¡Conéctese a través de Internet y programe su servicio a su conveniencia cualquier día del año! En EE.UU.: Hotpoint.com/service o llame al 800.432.2737 durante el horario comercial habitual.

Para servicio o piezas en Canadá, contacte a su distribuidor.

Garantías Extendida

Usted puede adquirir una garantía extendida de Hotpoint Appliances a través de Internet en Hotpoint.com/extended-warranty.com o llamando al 800-626-2224.

Piezas y Accesorios

Individuos calificados para realizar el servicio técnico de sus propios electrodomésticos podrán solicitar el envío de piezas o accesorios directamente a sus hogares (se aceptan las tarjetas VISA, MasterCard y Discover). Ordene a través de Internet hoy durante las 24 horas del día. En EE.UU.: GEApplianceparts.com o por teléfono al 877.959.8688 durante el horario comercial habitual.

Las instrucciones que figuran en este manual cubren los procedimientos que serán realizados por cualquier usuario. Otros servicios técnicos generalmente deberían ser derivados a personal calificado del servicio. Se deberá tener cuidado, ya que una reparación indebida podrá ocasionar que el funcionamiento no sea seguro.

Contáctenos

En caso de necesitar contactarnos por alguna razón, por favor visite Hotpoint.com/contact o llame al 800.626.2005.

También puede escribirnos a:

En EE.UU.: General Manager, Customer Relations | GE Appliances, Appliance Park | Louisville, KY 40225
GEAppliances.com/ge/service-and-support/contact.htm